

BIG BIKE PARTS® INSTALLATION INSTRUCTIONS

WINDSHIELD ACCENT TRIM

FOR HONDA GL1500

NO. 2-451

GOLD WING MODEL

Copyright© 1996 by Big Bike Parts, Inc. No part of this instruction sheet may be reproduced without the written permission of Big Bike Parts, Inc.

Revised 7/25/2017

ITEMS REQUIRED: #2 MEDIUM PHILLIPS HEAD SCREWDRIVER
10MM WRENCH

INSTALLATION:

1. UNHOOK THE L/R RUBBER MIRROR GASKETS (1A) FROM THE MIRRORS (1B) AND MIRROR COVERS (1C).
2. RELEASE THE L/R MIRROR COVER SPRING CLAMPS (2A) FROM THE FAIRING LEDGE (2B) AND PIVOT THE MIRROR COVERS (2C) SO AS TO EXPOSE SCREWS (3A) AND (4A) HOLDING THE TRIM HOLDER (3B) AND WINDSHIELD TRIM (4B).
3. PIVOT THE MIRRORS (1B) BACK AND OUT OF THE WAY. USING A #2 MEDIUM PHILLIPS SCREWDRIVER, REMOVE THE L/R SCREWS (3A) HOLDING THE TRIM HOLDER (3B).
4. GRASP THE TRIM HOLDER (3B) AND PULL IT FORWARD TO REMOVE FROM THE MOTORCYCLE.

FIGURE #2

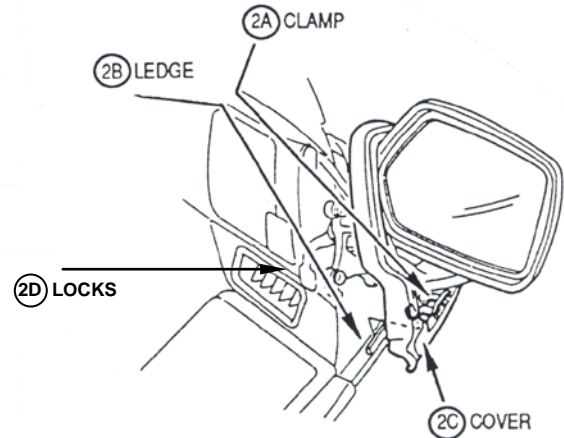


FIGURE #1

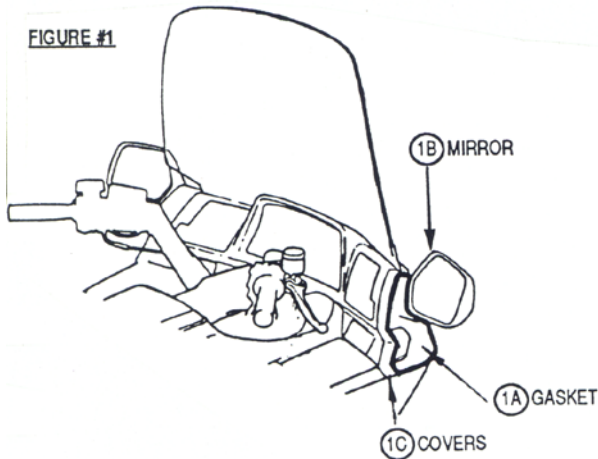
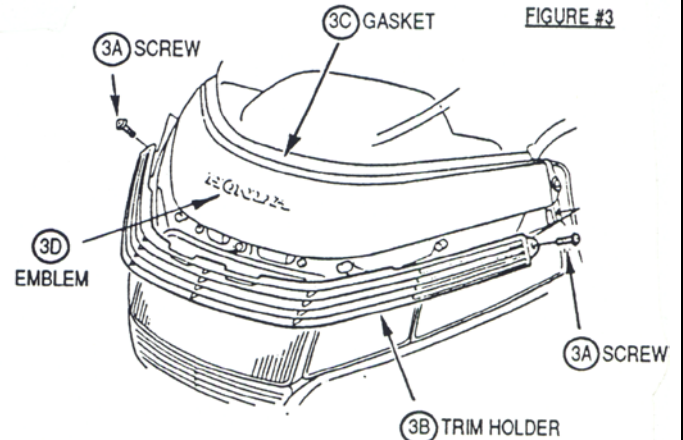
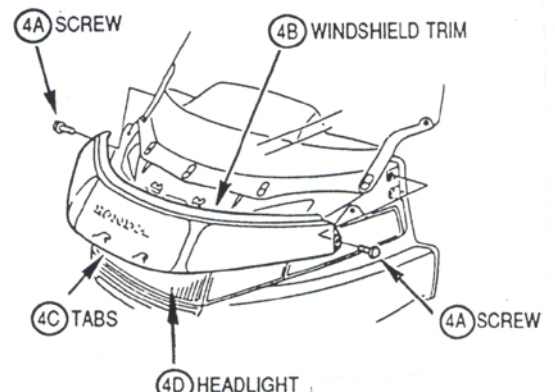


FIGURE #3



5. RELEASE THE L/R WINDSHIELD POSITION LOCKS ON BOTH SIDES (2D) TO ALLOW ACCESS TO MOUNTING SCREWS.
6. USING A #2 MEDIUM PHILLIPS SCREWDRIVER REMOVE THE L/R SCREWS (4A) HOLDING THE WINDSHIELD TRIM.
7. GRASP THE WINDSHIELD TRIM (4B) AND PULL IT FORWARD TO DISENGAGE THE TWO TABS (4C) JUST ABOVE THE HEADLIGHT (4D).
8. REMOVE THE RUBBER GASKET (3C) FROM THE TOP OF THE WINDSHIELD TRIM (4B). BEING CAREFUL TO INCLUDE THE ADHESIVE STRIPS WITH THE GASKET.
9. CAREFULLY CLEAN THE NEW CHROME WINDSHIELD TRIM (4B) AND REPLACE THE RUBBER GASKET (3C) ONTO THE NEW WINDSHIELD TRIM ACCENT.

FIGURE #4



NOTE: 1988-1994 GL1500/6 USE A SLIGHTLY DIFFERENT RUBBER GASKET THAN THE 1995-1997, BUT YOUR OLDER STYLE RUBBER GASKET WILL MOUNT ADEQUATELY ON THE NEW WINDSHIELD TRIM AND HOLD SNUG ONCE INSTALLATION IS COMPLETE.

10. USING THE 10MM WRENCH REMOVE THE TWO UPPER BOLTS (5A) THAT HOLD THE HEADLIGHT IN PLACE.
11. USING THE TWO 6M X 1.0 BOLTS (5B) PROVIDED, MOUNT THE WINDSHIELD ACCENT TRIM BRACKET TO THE TOP OF THE HEADLIGHT INSTALLING A DOUBLE SET OF WASHERS (5C) BETWEEN THE MOUNTING BRACKET AND PLASTIC HEADLIGHT HOUSING.
NOTE: THE BRACKET GETS POSITIONED SO THE "U" TAB PORTION OF THE BRACKET IS TO THE BOTTOM.
NOTE: THE WASHERS ARE USED TO KEEP THE MOUNTING BRACKET FROM HITTING THE HEADLIGHT LENS. THERE IS SOME VARIANCE FROM BIKE TO BIKE AND THEY MAY NOT ALWAYS BE NEEDED.
NOTE: DO NOT OVERTIGHTEN BOLTS (5B), SNUG ONLY.
12. INSTALL THE NEW WINDSHIELD ACCENT TRIM BY SLIDING THE BOTTOM SLOTS OVER THE "U" TABS OF THE BRACKET. WE RECOMMEND DOING THE RIGHT SIDE FIRST, AS YOU LOOK AT IT.
13. FINISH INSTALLING THE NEW WINDSHIELD TRIM (4B) BY REVERSING STEPS 1 THROUGH 6.
NOTE: IF YOUR NEW WINDSHIELD TRIM APPEARS TO FLARE OUT SLIGHTLY ON THE SIDES, DON'T WORRY, AS ONCE SPRING CLAMPS ARE RE-ENGAGED THEY WILL PULL THE WINDSHIELD TRIM DOWN AND HOLD INTO PLACE.

