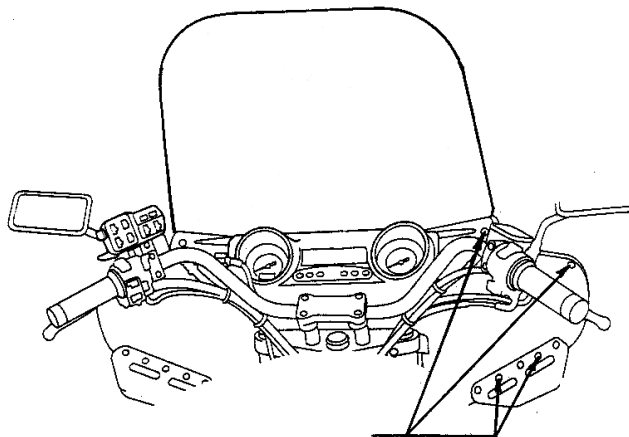


TOOLS REQUIRED: #2 PHILLIPS SCREWDRIVER
8MM WRENCH

INSTALLATION:

1. REMOVE THE FOUR PHILLIPS SCREWS (1A) ON THE INNER FAIRING PANEL AND REMOVE THE PANEL (BOTH SIDES). FIGURE 1.
2. REMOVE THE FOUR PHILLIPS SCREWS (2A) THAT HOLD THE WINDSHIELD GARNISH TRIM IN PLACE. REMOVE THE GARNISH. FIGURE 2.
3. REMOVE THE FOUR 8MM BOLTS (2B) WHICH HOLD THE WINDSHIELD IN PLACE. REMOVE THE WINDSHIELD. NOW REMOVE THE RUBBER SPACERS AND COLLARS FROM THE MOUNTING HOLES ON THE WINDSHIELD. SAVE THESE ITEMS. FIGURE 2.
4. INSTALL THE RUBBER SPACERS WITH THE THICK SIDE FACING OUT, ONTO THE NEW WINDSHIELD. INSERT THE COLLARS WITH WASHER SIDE FACING OUT.
5. INSTALL THE NEW WINDSHIELD BY REVERSING THE ABOVE STEPS.

FIGURE 1



(1A) PHILIPS SCREWS

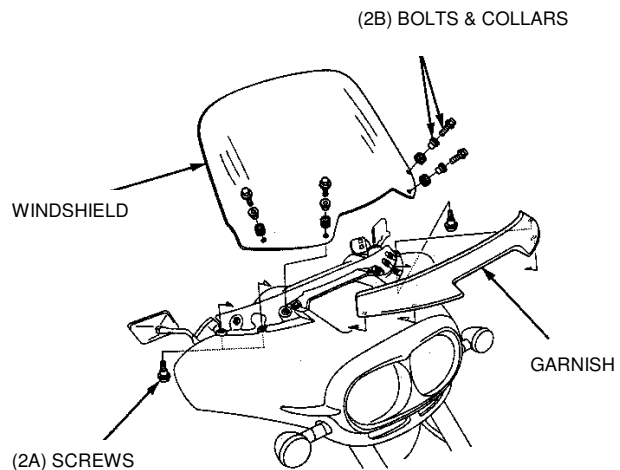


FIGURE 2