

BIG BIKE PARTS®

Copyright© 2015 by Big Bike Parts, Inc.
No part of this instruction sheet may be reproduced without the written permission of Big Bike Parts Inc.®

Revised 02/23/15

INSTALLATION INSTRUCTIONS

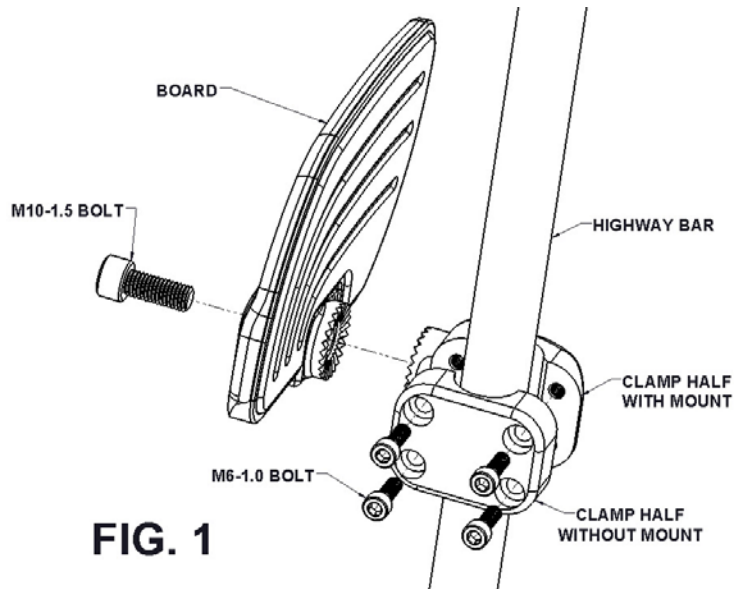
BEACHCOMBER HIGHWAY BOARD SET
UNIVERSAL 1" & 1 1/4" BAR
PART # 21-340, 21-341

TOOLS NEEDED: 8 MM ALLEN WRENCH, 5 MM ALLEN WRENCH, THREAD LOCK COMPOUND

NOTE: THREAD LOCK COMPOUND SHOULD BE USED ON ALL HARDWARE.

NOTE: BE AWARE THAT IMPROPER POSITIONING MAY REDUCE CORNERING CLEARANCE. DO NOT MOUNT IN A POSITION THAT MAY REDUCE ANY SAFE CLEARANCE.

1. STARTING ON THE RIGHT SIDE, CLEAN THE AREA ON THE HIGHWAY BAR WHERE YOU WANT TO MOUNT THE BOARD.
2. ASSEMBLE THE TWO CLAMPS ON THE TUBE AS SHOWN IN FIG. 1 BELOW.
3. INSTALL THE FOUR M6-1.0 X 18MM LONG ALLEN BOLTS IN THE CLAMPS BUT DO NOT TIGHTEN.
4. INSERT THE M10 BOLT THROUGH THE HIGHWAY BOARD AND THREAD IT INTO THE CLAMP BUT DO NOT TIGHTEN. SEE DIAGRAM BELOW.
5. POSITION THE BOARD AT THE HEIGHT AND ANGLE YOU LIKE AND TIGHTEN ALL BOLTS.
6. REPEAT STEPS 1 THROUGH 5 ON THE LEFT SIDE.



Scan code with your smartphone to view video



BIG BIKE PARTS®

Copyright© 2015 by Big Bike Parts, Inc.
No part of this instruction sheet may be reproduced without the written permission of Big Bike Parts Inc.®

Revised 02/23/15

INSTALLATION INSTRUCTIONS

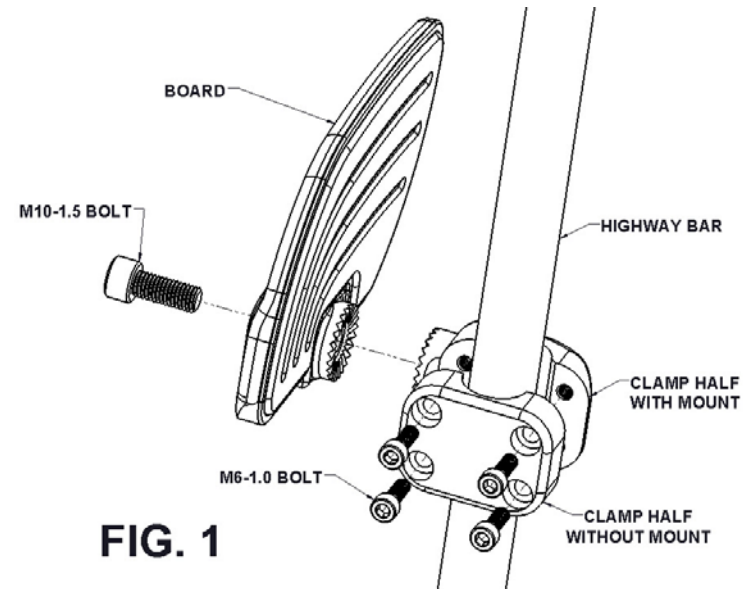
BEACHCOMBER HIGHWAY BOARD SET
UNIVERSAL 1" & 1 1/4" BAR
PART # 21-340, 21-341

TOOLS NEEDED: 8 MM ALLEN WRENCH, 5 MM ALLEN WRENCH, THREAD LOCK COMPOUND

NOTE: THREAD LOCK COMPOUND SHOULD BE USED ON ALL HARDWARE.

NOTE: BE AWARE THAT IMPROPER POSITIONING MAY REDUCE CORNERING CLEARANCE. DO NOT MOUNT IN A POSITION THAT MAY REDUCE ANY SAFE CLEARANCE.

1. STARTING ON THE RIGHT SIDE, CLEAN THE AREA ON THE HIGHWAY BAR WHERE YOU WANT TO MOUNT THE BOARD.
2. ASSEMBLE THE TWO CLAMPS ON THE TUBE AS SHOWN IN THE DIAGRAM BELOW.
3. INSTALL THE FOUR M6-1.0 X 18MM LONG ALLEN BOLTS IN THE CLAMPS BUT DO NOT TIGHTEN.
4. INSERT THE M10 BOLT THROUGH THE HIGHWAY BOARD AND THREAD IT INTO THE CLAMP BUT DO NOT TIGHTEN. SEE DIAGRAM BELOW.
5. POSITION THE BOARD AT THE HEIGHT AND ANGLE YOU LIKE AND TIGHTEN ALL BOLTS.
6. REPEAT STEPS 1 THROUGH 5 ON THE LEFT SIDE.



Scan code with your smartphone to view video

