

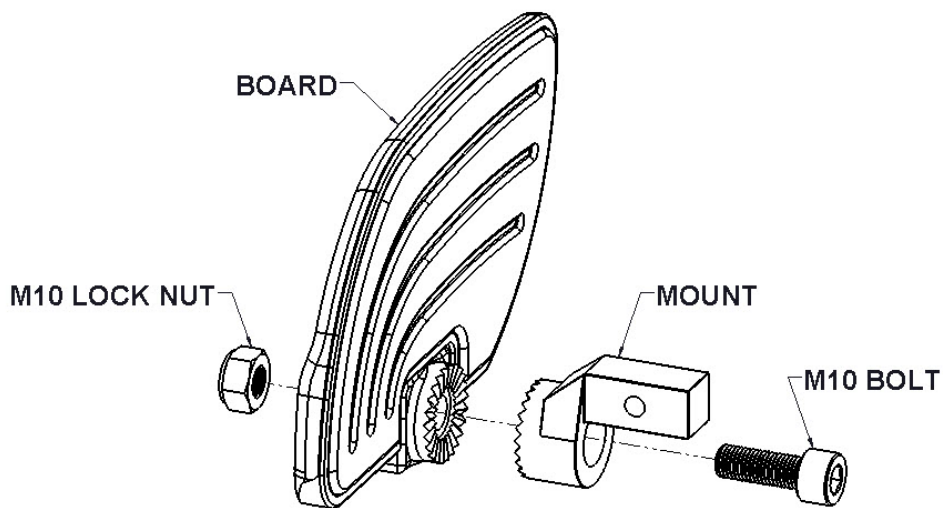
2/23/2015

TOOLS NEEDED: NEEDLE NOSE PLIERS 8MM ALLEN WRENCH THREADLOCKER

HARDWARE INCLUDED: (2) M10-1.25 X 28MM LONG SOCKET HEAD CAP SCREW
(2) M10-1.25 X 25MM LONG SOCKET HEAD CAP SCREW
(2) M10-1.25 NYLOCK HEX NUT
(2) 5/8" CHROME MOUNT
(2) BEACHCOMBER FLOORBOARD

NOTE: WE RECOMMEND USING THREADLOCKER ON ALL HARDWARE INSTALLED.

1. REMOVE THE PEG FROM THE MOUNTING BRACKET, BY REMOVING THE COTTER PIN OR E-CLIP AND THE PEG PIN WITH NEEDLE NOSE PLIERS.
2. SLIDE THE NEW MOUNT INTO THE PEG MOUNTING BRACKET UNTIL THE PIN HOLE IN THE PEG MOUNTING BRACKET AND THE HOLE IN THE MOUNT ARE ALIGNED.
3. REINSTALL THE PIN THROUGH BOTH PIECES AND REINSTALL THE CLIP OR PIN YOU REMOVED IN STEP 1.
4. ATTACH THE BOARD TO THE MOUNT AS SHOWN BELOW IN FIG. 1.
5. ROTATE THE BOARD TO THE DESIRED POSITION AND TIGHTEN THE BOLT WITH AN 8MM ALLEN WRENCH.
6. REPEAT STEPS 1-5 FOR THE OTHER SIDE.
7. **IF AN OFFSET EXTENSION IS BEING USED,** INSTALL THE EXTENSIONS ONTO THE MOUNT USING THE 8MM ALLEN WRENCH AND THE M10-1.25 X 25MM BOLT PROVIDED. INSTALL THE BOARD ONTO THE EXTENSION USING THE 8MM ALLEN WRENCH, 14MM SOCKET WRENCH, THE M10-1.25 X 28MM BOLT, AND THE NUT PROVIDED.

**FIG. 1**