

Copyright © 2016 by Big Bike Parts, Inc. No part of this instruction sheet may be reproduced without the written permission of Big Bike Parts, Inc.

PART NO. 30-105

GPS/PHONE HOLDER

UNIVERSAL FOR 7/8" AND 1" ROUND HANDLEBARS

6/29/2016

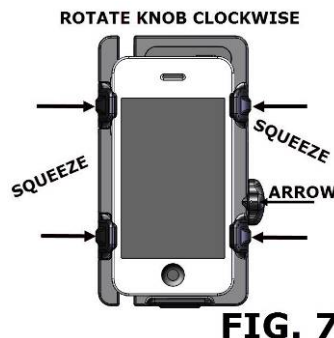
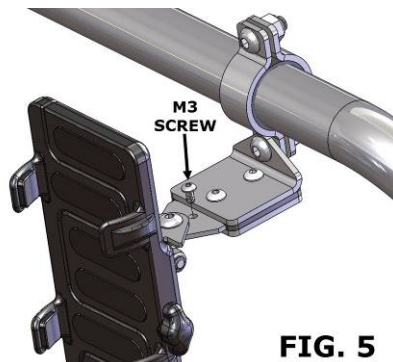
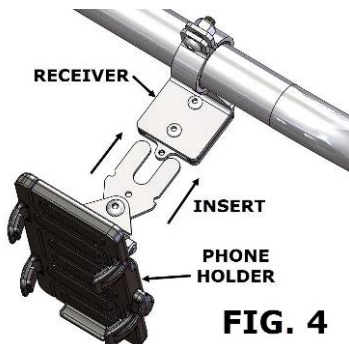
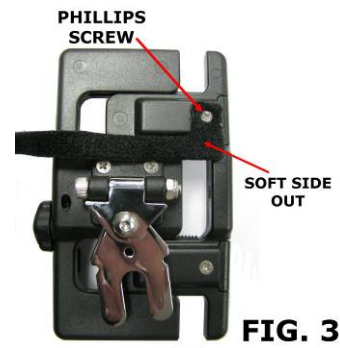
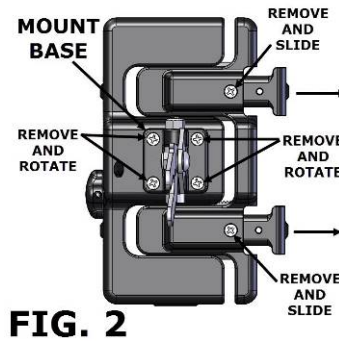
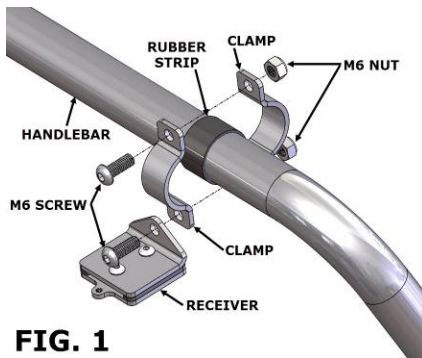
TOOLS NEEDED:	2MM ALLEN WRENCH	4MM ALLEN WRENCH	10MM WRENCH
	3MM ALLEN WRENCH	8MM WRENCH	PHILLIPS SCREWDRIVER

**PLEASE READ THROUGH AND UNDERSTAND THESE INSTRUCTIONS BEFORE BEGINNING.**

**ESTIMATED INSTALLATION TIME: 5 TO 10 MIN.**

**INSTALLATION:**

1. REMOVE THE TWO RUBBER STRIPS FROM THE HARDWARE PACKAGE.
2. THE THICKER STRIP IS USED WHEN INSTALLING ON 7/8" DIAMETER HANDLEBARS AND THE THIN STRIP IS USED FOR 1" DIAMETER HANDLEBARS.
3. WRAP THE CORRECT RUBBER STRIP AROUND THE HANDLEBAR AS SHOWN IN FIG. 1 BELOW.
4. ASSEMBLE THE CLAMPS AND RECEIVER AS SHOWN IN FIG. 1 USING THE TWO M6 SCREWS AND M6 NUTS.
5. ADJUST THE POSITION AS NEEDED AND USING A 4MM ALLEN WRENCH AND A 10MM WRENCH TIGHTEN THE SCREWS.
6. GPS/PHONE HOLDER CAN BE ROTATED 90 DEGREES AND MADE WIDER. SEE FIG. 2.
7. INSTALL THE SAFETY STRAP BY REMOVING THE TOP PHILLIPS SCREW ON THE BACK AND REINSTALLING IT THROUGH THE HOLE ON THE STRAP. SEE FIG. 3.
8. SLIDE THE GPS/PHONE HOLDER INTO THE MOUNT AS SHOWN IN FIG. 4. INSTALL THE M3 SCREW FOR SECURITY. SEE FIG. 5.
9. TIGHTEN THE SCREWS AND ADJUST THE MOUNT TO THE DESIRED POSITION.
10. TURN THE LOCKING KNOB COUNTER CLOCKWISE UNTIL YOU SEE THE SET SCREW ON THE KNOB AND OPEN THE CLAMP. SEE FIG. 6.
11. SQUEEZE THE CLAMP TOGETHER AND ROTATE THE KNOB CLOCKWISE UNTIL THE ARROWS LINE UP. SEE FIG. 7.
12. TIGHTLY WRAP SAFETY STRAP AROUND THE DEVICE BEFORE USE.



**FIG. 7**