

Copyright © 2017 by Big Bike Parts, Inc. No part of this instruction sheet may be reproduced without the written permission of Big Bike Parts, Inc.

PART NO. 30-204

TRAILER RECEIVER HITCH

FITMENT: INDIAN CHIEF, SPRINGFIELD, CHIEFTAIN, ROADMASTER, 2014-NEWER

3/18/2019

TOOLS NEEDED: 8MM WRENCH

13MM WRENCH

17MM WRENCH (2X)

28MM/1-1/8" WRENCH

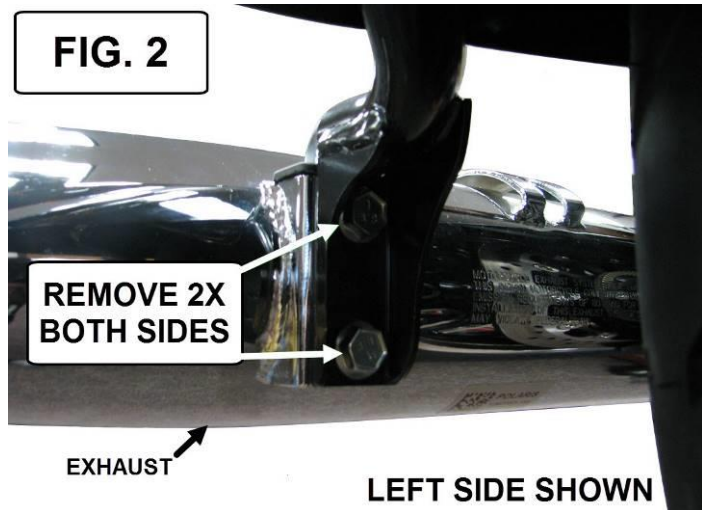
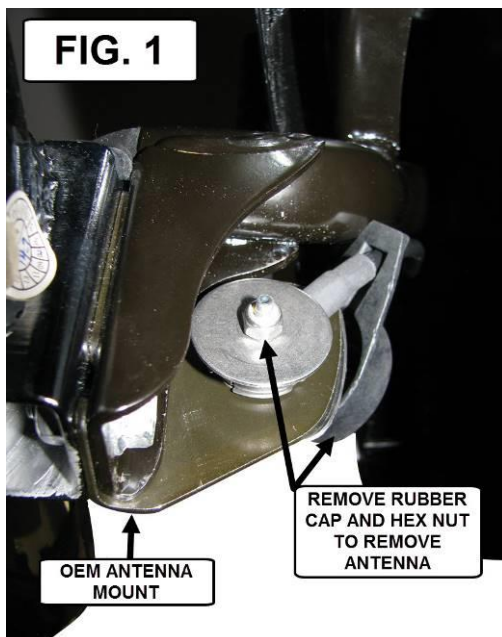
REMOVABLE THREAD LOCK

PLEASE READ THROUGH AND UNDERSTAND THESE INSTRUCTIONS BEFORE BEGINNING. USE REMOVABLE THREAD LOCK ON ALL FASTENERS.

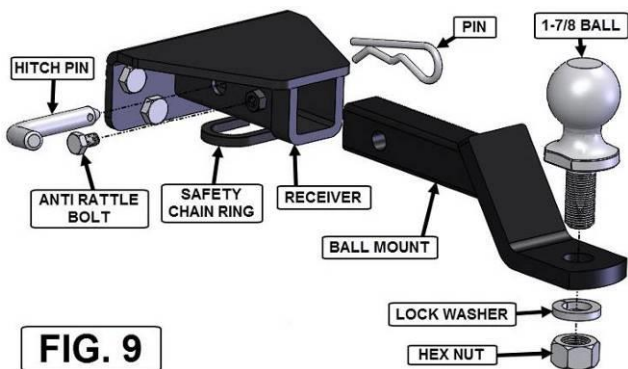
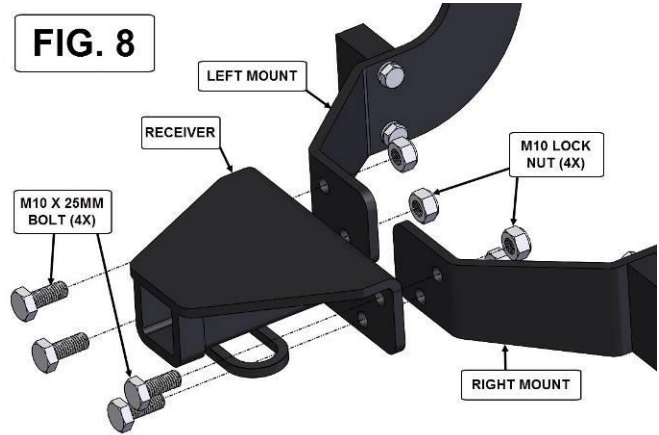
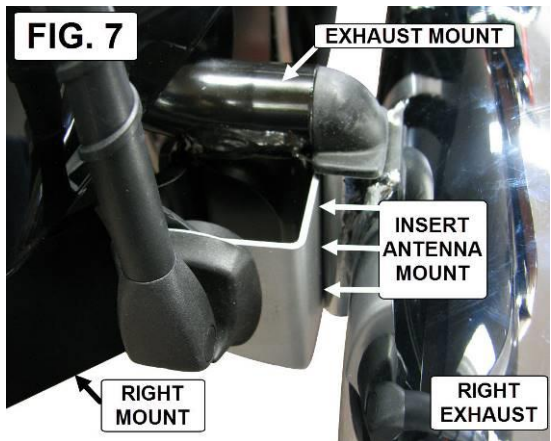
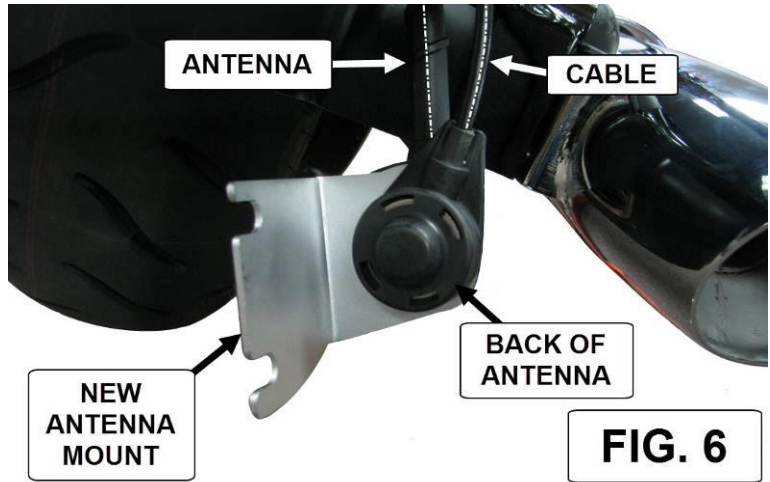
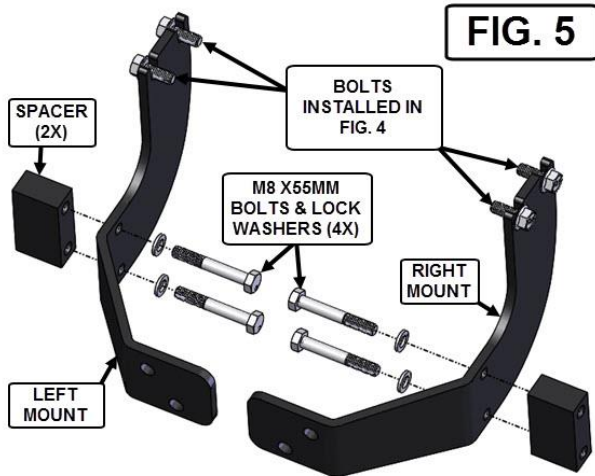
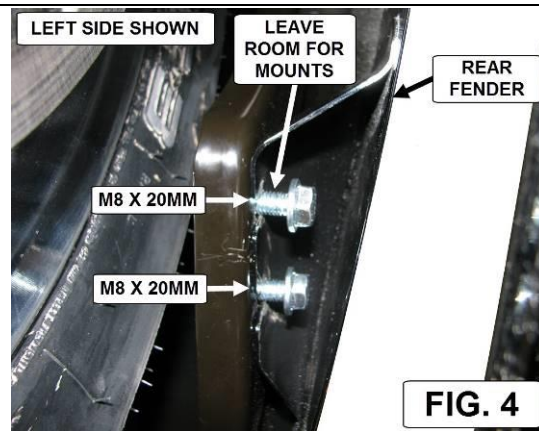
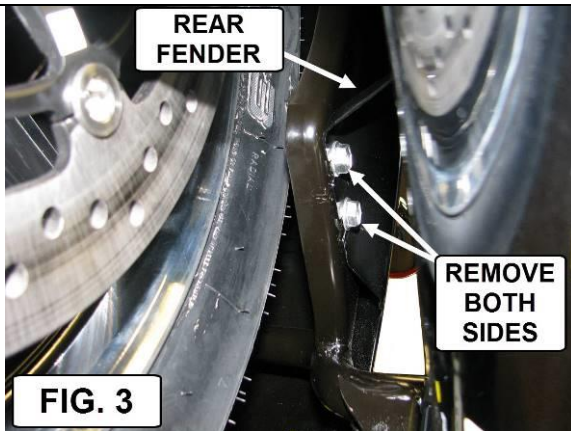
ESTIMATED INSTALLATION TIME: 45 TO 60 MIN.

INSTALLATION:

1. REMOVE BOTH SADDLEBAGS AND SET ASIDE.
2. REMOVE THE RUBBER COVER FROM THE FRONT SIDE OF THE RADIO ANTENNA (IF EQUIPPED).
3. USING AN 8MM WRENCH REMOVE THE LOCK NUT SHOWN IN **FIG. 1**. TAKE NOTE OF THE POSITION OF THE FLAT WASHERS AS YOU TAKE IT APART.
4. REMOVE THE ANTENNA FROM THE OEM BRACKET AND SET IT ASIDE. THE OEM BRACKET WILL NOT BE REUSED.
5. USE SOME BLOCKS OR STRAPS TO SUPPORT THE REAR OF THE EXHAUST. USING A 13MM WRENCH REMOVE THE FOUR BOLTS SHOWN IN **FIG.2** HOLDING THE BACK OF THE EXHAUST TO THE BIKE. THESE BOLTS WILL NOT BE REUSED.
6. USING A 13MM WRENCH REMOVE THE FOUR REAR FENDER BOLTS SHOWN IN **FIG. 3**. THESE BOLTS WILL NOT BE REUSED.
7. INSTALL THE FOUR M8 X 20MM FLANGE HEAD HEX BOLTS FROM THE KIT INTO THE REAR FENDER MOUNTS AS SHOWN IN **FIG. 4**. LEAVE THE BOLTS OUT ABOUT 3/8" AS SHOWN.
8. STARTING ON THE RIGHT SIDE SLIDE THE RIGHT MOUNT ONTO THE BOLTS YOU JUST INSTALLED. SEE **FIG. 5**. PLACE ONE OF THE SPACERS BETWEEN THE RIGHT MOUNT AND BIKE FRAME. INSTALL TWO OF THE M8 X 55MM BOLTS WITH LOCK WASHERS THROUGH THE RIGHT MOUNT AND THE SPACER AND INTO THE NUTS ON THE RIGHT EXHAUST. GET THE BOLTS STARTED BUT DO NOT TIGHTEN.
9. REPEAT STEP 8 FOR THE LEFT SIDE.
10. ASSEMBLE THE ANTENNA TO THE NEW ANTENNA BRACKET SUPPLIED WITH THE KIT. POSITION THE CABLE AS SHOWN IN **FIG. 6**. TIGHTEN.
11. INSERT THE NEW ANTENNA MOUNT BETWEEN THE EXHAUST MOUNT AND THE RIGHT EXHAUST AS SHOWN IN **FIG. 7**.
12. ATTACH THE RECEIVER TO THE RIGHT AND LEFT MOUNTS AS SHOWN IN **FIG. 8**. DO NOT TIGHTEN.
13. USING A 13MM WRENCH TIGHTEN THE FOUR REAR FENDER BOLTS.
14. NEXT USING A 13MM WRENCH, TIGHTEN THE FOUR M8 X 55MM BOLTS.
15. USING TWO 17MM WRENCHES TIGHTEN THE FOUR M10 X 25MM BOLTS AND LOCK NUTS.
16. INSTALL THE M8 X 14MM LONG ANTI-RATTLE BOLT INTO THE NUT ON THE SIDE OF THE RECEIVER. SEE **FIG. 9**.
17. ASSEMBLE THE BALL TO THE BALL MOUNT AND TIGHTEN.
18. INSERT THE BALL MOUNT INTO THE RECEIVER AND INSTALL THE HITCH PIN FROM THE LEFT SIDE AS SHOWN IN **FIG. 9**. INSTALL PIN ON RIGHT SIDE.
19. TIGHTEN ANTI-RATTLE BOLT.
20. REINSTALL BOTH SADDLEBAGS ON BIKE.
21. AFTER A FEW MILES RETIGHTEN ALL BOLTS.

**NOTICE**

IGNORING THE CONTENTS OF THESE INSTRUCTIONS MAY AFFECT THE PRODUCT PERFORMANCE AND FUNCTIONALITY. NOT FOLLOWING THESE INSTRUCTION MAY CAUSE DAMAGE TO THE PRODUCT OR THE VEHICLE TO WHICH IT IS BEING ATTACHED.



NOTICE

Big Bike Parts and its Show Chrome Accessories® trailer hitch systems have been exclusively designed for use only on stock models. It will not work on any other motorcycle, and may not work or may interfere with aftermarket accessories. Any modification to any part of this hitch, including but not limited to altering the supplied hardware or improper installation could cause injury or death and immediately voids any and all warranties. Use of a trailer hitch on any motorcycle could void your motorcycle warranty and may increase your chances of injury or death. The end user of this product assumes all liability and responsibilities that may arise due to but not limited to, negligence from improper installation or use, including overloading, exceeding the recommended load limits of the motorcycle, trailer or trailer hitch and improper maintenance. Big Bike Parts total liability will be limited to the initial purchase price of this product or replacement of this product or replacement of this product at our discretion. 600 lbs. maximum GVWR, 60 lbs. maximum tongue weight, not to exceed GCWR for motorcycle.