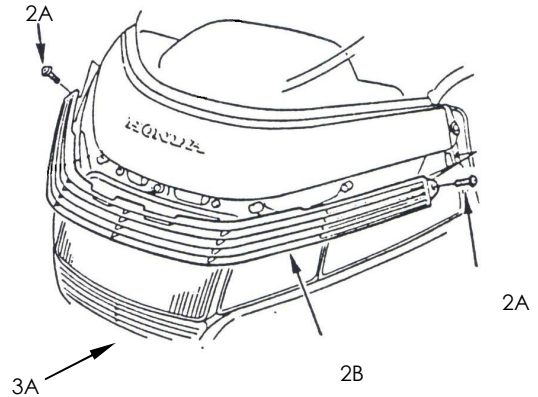


TOOLS NEEDED: PHILLIPS SCREWDRIVER 10MM SOCKET WRENCH

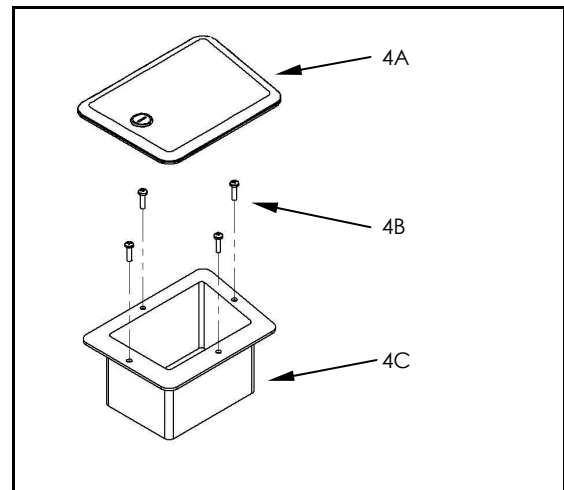
PLEASE READ THROUGH AND UNDERSTAND THESE INSTRUCTIONS BEFORE BEGINNING.

INSTALLATION

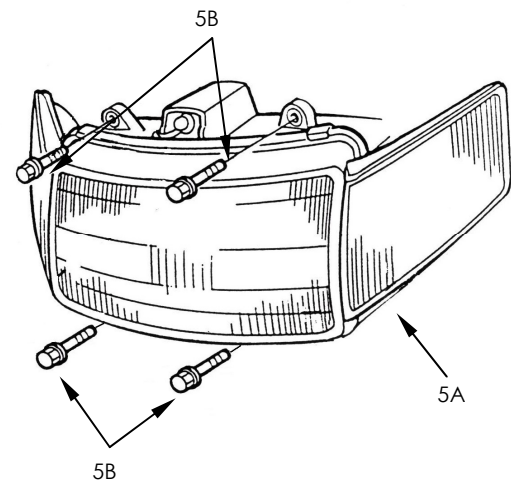
1. PARK THE BIKE ON A LEVEL SURFACE
2. REMOVE THE TWO SCREWS (2A) FASTENING THE TRIM HOLDER (2B) TO THE BIKE AND REMOVE THE TRIM HOLDER.
3. REMOVE THE TWO SCREWS HOLDING THE LOWER VENT (3A) IN PLACE AND PULL THE VENT FORWARD TO REMOVE FROM THE MOTORCYCLE.



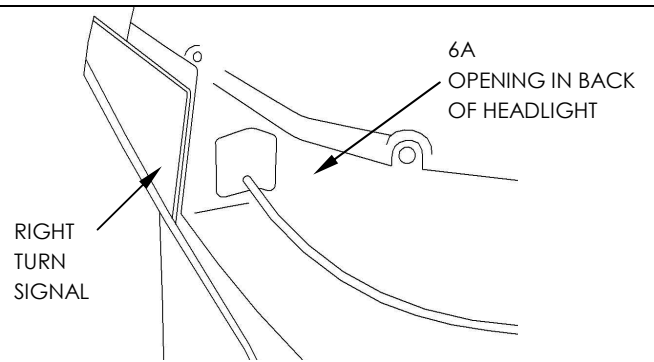
4. REMOVE THE COVER (4A) FROM THE RIGHT FAIRING POCKET. REMOVE THE FOUR SCREWS (4B) AND PULL THE FAIRING POCKET (4C) OUT OF THE FAIRING.



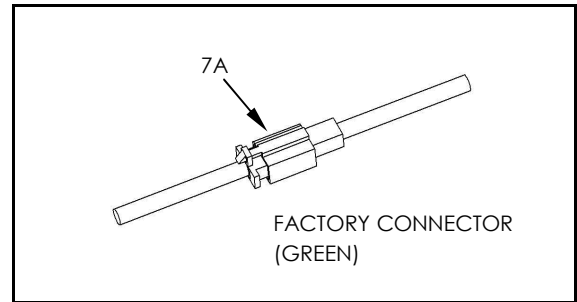
5. USE THE 10MM SOCKET WRENCH TO REMOVE THE FOUR BOLTS (5B) THAT HOLD THE HEADLIGHT (5A) IN PLACE. THE LOWER BOLTS WILL HAVE A THREADED HOLE IN THE HEAD. WHEN THE BOLTS ARE REMOVED THE HEADLIGHT CAN BE PULLED OUT OF THE FAIRING. THE HEADLIGHT DOES NOT HAVE TO BE DISCONNECTED FROM THE HARNESS IF YOU CAN SAFELY REST IT ON THE BIKE WHERE IT IS OUT OF THE WAY.



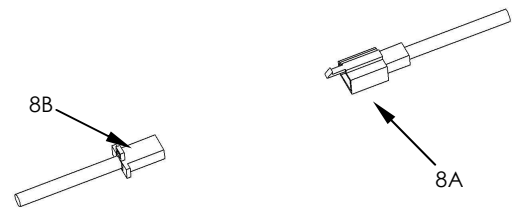
6. WITH THE HEADLIGHT REMOVED FROM THE BIKE LOCATE THE OPENING (6A) IN THE LEFT REAR OF THE HEADLIGHT RECESS. FEED THE LED AIR VENT HARNESS THROUGH THIS HOLE AND BACK TO THE OPENING WHERE THE RIGHT FAIRING POCKET FITS.



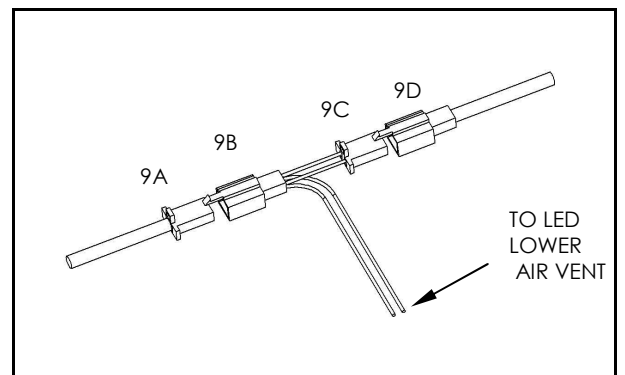
7. FIND THE GREEN TWO POLE CONNECTORS (7A) THAT ARE LOCATED IN THE AREA UNDERNEATH THE RIGHT FAIRING POCKET OPENING. ON SOME MOTORCYCLES THERE WILL ONLY BE ONE CONNECTOR. THE INSTALLATION WILL BE THE SAME AS FOR BIKES WITH TWO CONNECTORS, BUT ONLY ONE CONNECTOR ON THE LED LOWER AIR VENT WILL BE USED.



8. DISCONNECT THE FEMALE CONNECTOR (8A) FROM THE MALE CONNECTOR (8B) BY DEPRESSING THE TAB ON THE FEMALE CONNECTOR WHILE PULLING THE TWO CONNECTORS APART.



9. CONNECT THE LED LOWER AIR VENT HARNESS FEMALE CONNECTOR (9B) TO THE FACTORY HARNESS MALE CONNECTOR (9A). CONNECT THE LED LOWER AIR VENT HARNESS MALE CONNECTOR (9C) TO THE FACTORY HARNESS FEMALE CONNECTOR (9D). MAKE CERTAIN THAT THE CONNECTORS ARE FULLY INSERTED AND LOCKED IN POSITION.



10. TEST THE LED LOWER AIR VENT BY TURNING THE KEY TO THE ACCESSORY POSITION. THE LED AIR VENT FUNCTIONS AS A RUNNING LIGHT AND WILL ILLUMINATE WITH THE HEADLIGHT. IF THE LED LOWER AIR VENT DOES NOT ILLUMINATE CHECK THE CONNECTIONS AND REPEAT THE TEST PROCEDURE.

11. INSTALL THE HEADLIGHT. MAKE CERTAIN THAT THE BOLTS WITH THE THREADED HOLES IN THE HEAD ARE IN THE LOWER MOUNTING HOLES. ROUTE THE HARNESS FOR THE LED LOWER AIR VENT TO THE LOWER LEFT SIDE OF THE HEADLIGHT

12. INSTALL THE LED LOWER AIR VENT USING THE TWO SCREWS FROM THE FACTORY LOWER AIR VENT.

13. INSTALL THE TRIM HOLDER

14. INSTALL THE RIGHT FAIRING POCKET.