

Copyright© 2011 by Big Bike Parts, Inc. No part of this instruction sheet may be reproduced without the written permission of Big Bike Parts.

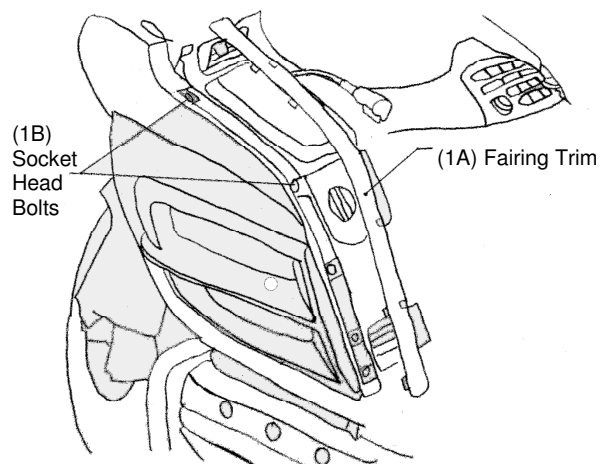
6/22/201

Part Numbers: 52-660U, 52-661U,
52-662U, 52-664U, 52-665U,
52-666U, 52-667U, 52-668U

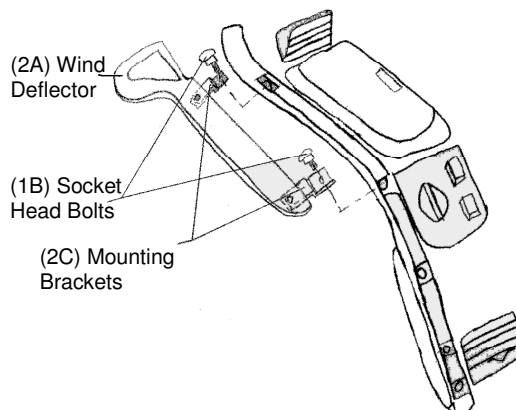
For Honda GL1800

Tools Required: 5mm Allen Wrench Flat Blade Screwdriver Small File Thread locking compound

1. Gently pry off the left fairing molding (1A) with the flat blade screwdriver. Be careful not to break off the mounting tabs when removing the molding. On 2001-2010 models the moldings are a single strip on each side of the fairing. On 2012 models the moldings have a wider panel at the bottom that has larger snap in place clips.
2. Use the 5mm Allen Wrench to remove the two upper bolts under the fairing molding.



3. Install the left wind deflector (2A) by aligning the mounting brackets (2C) with the holes where the two fairing screws were removed. Two M5-0.8 x 16mm socket head bolts (1B) have been provided for installing each deflector. Use thread locking compound on the mounting screws. Do not over tighten.



4. Place the fairing molding back on the fairing and over the deflector but do not snap it into place. Make certain the molding is positioned accurately and then mark on the molding where the deflector brackets pass under the outer edge of the molding. Use the small file to create two flat notches on the edge of the molding. The notches will be as wide as the deflector brackets and 2 to 3mm deep. The notches will provide clearance for the brackets and allow the molding to be snapped back into place.
5. Re-install the molding and make sure the fit is secure.
6. Repeat steps 1 through 5 for the right side.

