

Copyright © 2015 by Big Bike Parts, Inc. No part of this instruction sheet may be reproduced without the written permission of Big Bike Parts, Inc.

PART NO. 52-840**ARMREST GPS/PHONE HOLDER****PASSENGER ARMREST**

3/24/2015

TOOLS NEEDED: 2MM ALLEN WRENCH

PHILLIPS SCREWDRIVER

3MM ALLEN WRENCH

4MM ALLEN WRENCH

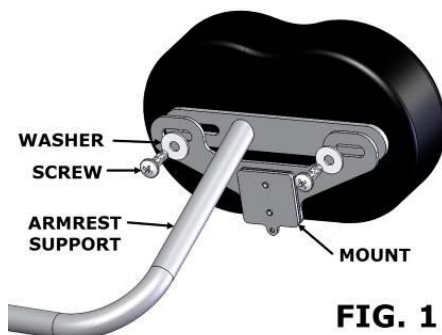
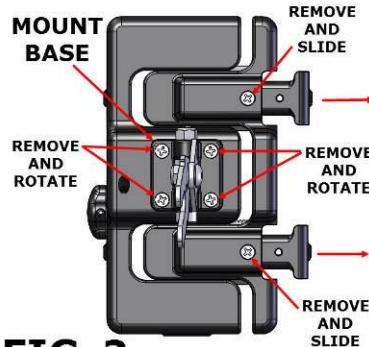
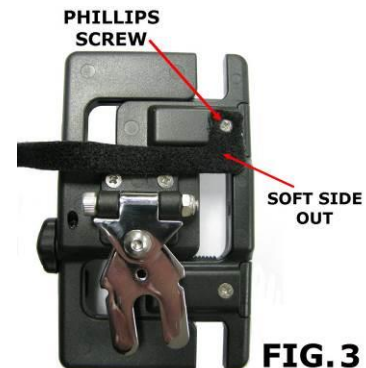
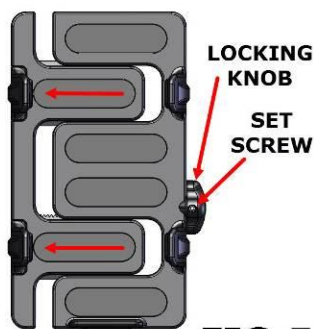
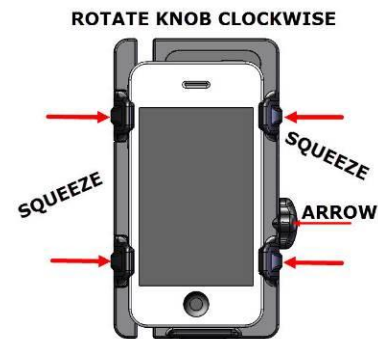
8MM WRENCH

PLEASE READ THROUGH AND UNDERSTAND THESE INSTRUCTIONS BEFORE BEGINNING.

NOTE: THE ARMREST MOUNT CAN MOUNT ON THE OUTSIDE OR THE INSIDE OF THE ARMREST AND ON THE RIGHT OR THE LEFT SIDE.

INSTALLATION:

1. USING A PHILLIPS SCREWDRIVER REMOVE THE TWO SCREWS HOLDING THE ARMREST PAD TO THE ARMREST SUPPORT.
2. TAKE THE NEW MOUNT AND PLACE IT ON THE BOTTOM OF THE ARMREST SUPPORT.
3. REINSTALL THE WASHERS AND SCREW THROUGH ALL OF THE ITEMS AS SHOWN IN FIG. 1.
4. ALIGN ALL OF THE ITEMS AS YOU WANT THEM AND TIGHTEN BOTH SCREWS.
5. GPS/PHONE HOLDER CAN BE ROTATED 90 DEGREES AND MADE WIDER. SEE FIG. 2.
6. INSTALL THE SAFETY STRAP BY REMOVING THE TOP PHILLIPS SCREW ON THE BACK AND REINSTALLING IT THROUGH THE HOLE ON THE STRAP. SEE FIG. 3.
7. SLIDE THE GPS/PHONE HOLDER INTO THE MOUNT AS SHOWN IN FIG. 4. INSTALL THE M3 SCREW FOR SECURITY.
8. TIGHTEN THE SCREWS AND ADJUST THE MOUNT TO THE DESIRED POSITION.
9. TURN THE LOCKING KNOB COUNTER CLOCKWISE UNTIL YOU SEE THE SET SCREW ON THE KNOB AND OPEN THE CLAMP. SEE FIG. 5.
10. SQUEEZE THE CLAMP TOGETHER AND ROTATE THE KNOB CLOCKWISE UNTIL THE ARROWS LINE UP. SEE FIG. 6.
11. TIGHTLY WRAP SAFETY STRAP AROUND THE DEVICE BEFORE USE.

**FIG. 1****FIG. 2****FIG. 3****FIG. 4****FIG. 5****FIG. 6**

Scan code with your smartphone to view video

