

Copyright © 2016 by Big Bike Parts, Inc. No part of this instruction sheet may be reproduced without the written permission of Big Bike Parts, Inc.

PART NO. 52-844A**GADGET BAR HOLDER**

GL1500 AND GL1800, HONDA AND YAMAHA CRUISERS,
HARLEY-DAVIDSON® WITH 1.5" OR 1.56" BOLT SPACING

6/8/2016

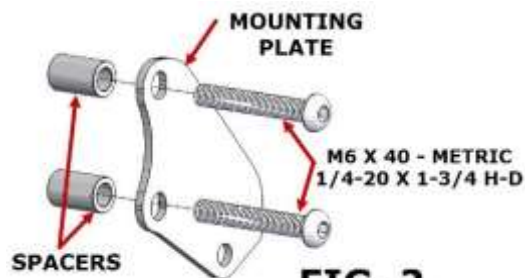
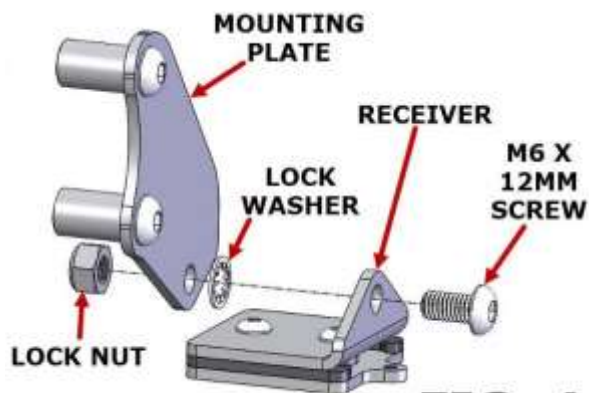
TOOLS NEEDED:	5MM ALLEN WRENCH (METRIC)	4MM (5/32") ALLEN WRENCH	10MM WRENCH	T30 TORX DRIVER (HARLEY)	THREAD LOCK	2MM ALLEN WRENCH
---------------	---------------------------	--------------------------	-------------	--------------------------	-------------	------------------

PLEASE READ THROUGH AND UNDERSTAND THESE INSTRUCTIONS BEFORE BEGINNING.

NOTE: THIS CAN BE MOUNTED ON EITHER THE LEFT OR THE RIGHT SIDE OF MOTORCYCLE. THE INSTRUCTIONS ARE FOR A LEFT SIDE INSTALLATION. USE REMOVABLE THREAD LOCK ON ALL FASTENERS.

INSTALLATION:

1. REMOVE THE TWO ALLEN BOLTS THAT HOLD THE CLUTCH LEVER TO THE HANDLEBARS. SEE FIG. 1. THEY WILL NOT BE REUSED.
2. APPLY THREAD LOCK NEAR THE END OF THE TWO SCREWS SUPPLIED WITH THE MOUNT. (M6 X 40 FOR HONDA AND YAMAHA) (1/4-20 X 1-3/4 FOR H-D)
3. ASSEMBLE THE SCREWS AND SPACERS AS SHOWN IN FIG. 2.
4. USING A 4MM (5/32") ALLEN WRENCH INSTALL THE MOUNT TO THE BIKE. SEE FIG. 3.
5. ASSEMBLE THE RECEIVER TO THE MOUNTING PLATE USING THE M6 X 12MM SCREW, LOCK WASHER, AND LOCK NUT AS SHOWN IN FIG. 4.
6. ADJUST THE ANGLE OF THE RECEIVER MOUNT AND TIGHTEN USING A 4MM ALLEN WRENCH AND A 10MM WRENCH.
7. SLIDE THE GADGET BAR HOLDER INTO THE MOUNT AND INSTALL THE M3 SCREW AS SHOWN IN FIG. 5.

**FIG. 1****FIG. 2****FIG. 3****LEFT SIDE****FIG. 4****FIG. 5****M3 SCREW**

Scan code with your
smartphone to view
video

