



Copyright © 2022 by Big Bike Parts, Inc. No part of this instruction sheet may be reproduced without the written permission of Big Bike Parts, Inc.

INSTALLATION INSTRUCTIONS

PART NO. 52-920, 52-968, 52-956

DESCRIPTION: SMART MOUNT™ BACKREST

FITMENT: HONDA GOLD WING/GOLD WING TOUR 2018-NEWER

ESTIMATED INSTALLATION TIME: 30 TO 45 MIN.

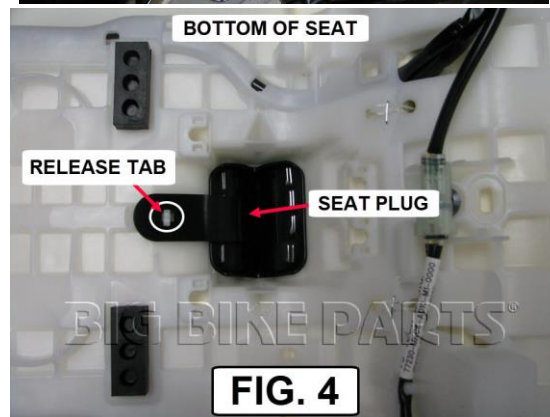
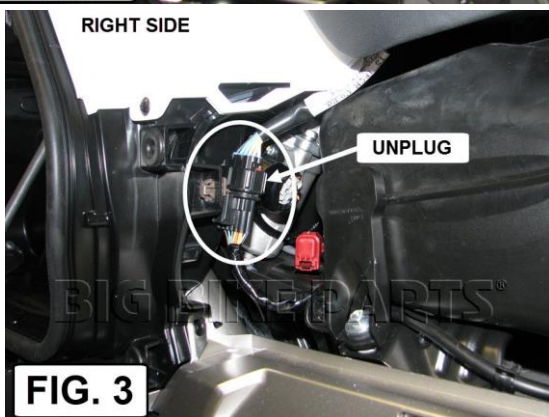
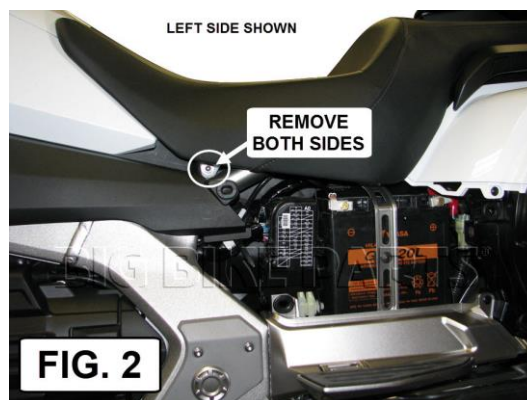
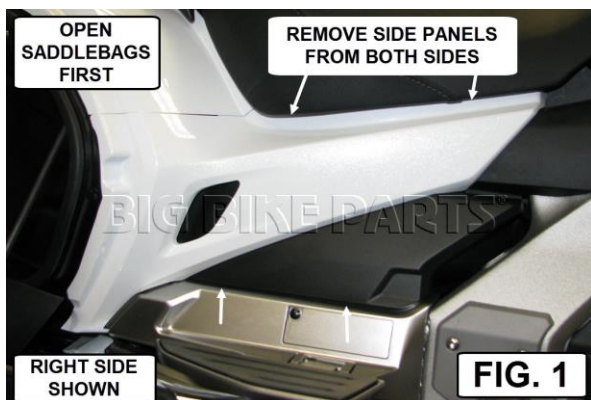
TOOLS NEEDED:	3MM ALLEN WRENCH	4MM ALLEN WRENCH	5MM ALLEN WRENCH	6MM ALLEN WRENCH	13MM WRENCH
	7/16" (11MM) WRENCH	RUBBING ALCOHOL	LINT FREE TOWEL	REMOVABLE THREAD LOCK	

PLEASE READ THROUGH AND UNDERSTAND THESE INSTRUCTIONS BEFORE BEGINNING. *USE REMOVABLE THREAD LOCK ON ALL FASTENERS*

NOTE: BACKREST PAD MAY VARY DEPENDING ON WHAT BACKREST KIT YOU PURCHASED.

INSTALLATION:

1. OPEN BOTH SADDLEBAGS AND REMOVE BOTH SIDE PANELS. PULL ON THE FRONT OF EACH PANEL TO REMOVE THEM. SEE FIG. 1.
2. USING A 6MM ALLEN WRENCH REMOVE THE TWO ALLEN BOLTS HOLDING THE SEAT ON. THERE IS ONE ON EACH SIDE TOWARD THE FRONT OF THE SEAT. SEE FIG. 2.
3. UNPLUG THE CONNECTOR FOR THE SEAT ON THE RIGHT SIDE SHOWN IN FIG. 3.
4. LIFT THE FRONT OF THE SEAT UP AND PULL IT FORWARD TO REMOVE IT. PLACE THE SEAT WITH THE BOTTOM UP ON A CLEAN SURFACE.
5. REMOVE THE SEAT PLUG BY RELEASING IT FROM THE TAB SHOWN IN FIG. 4. PULL THE SEAT PLUG OUT FROM THE TOP OF THE SEAT.
6. INSERT THE FOUR T-NUTS INTO THE SLOTS IN THE BOTTOM OF THE SEAT AS SHOWN IN FIG. 5. IF NEEDED USE SOME SMALL PIECES OF TAPE TO HELP HOLD THE T-NUTS IN PLACE.
7. THREAD THE TWO M8 X 16MM LONG SCREWS INTO THE BASE MOUNT AS SHOWN IN FIG. 6. PUT THE TWO SUPPLIED JAM NUTS ON THE OPPOSITE SIDE AS SHOWN IN FIG. 6. DO NOT TIGHTEN YET.
8. PLACE THE SUPPLIED RISER ON THE TWO SCREWS AS SHOWN IN FIG. 7. USING A 5MM ALLEN WRENCH AND A 13MM WRENCH ADJUST AND TIGHTEN THE SCREWS AND JAM NUTS SO THAT THE HEAD OF THE SCREW IS AS CLOSE AS POSSIBLE TO THE RISER BUT THE RISER WILL STILL SLIDE OFF OF THE SCREWS.
9. REMOVE THE MASKING AND PLACE THE RUBBER STRIP SUPPLIED IN THE KIT ON THE BOTTOM SIDE OF THE BASE MOUNT AS SHOWN IN FIG. 8.
10. PLACE THE ASSEMBLED BASE MOUNT ON THE BOTTOM OF THE SEAT AS SHOWN IN FIG. 9. INSTALL THE FOUR M6 X 20MM LONG ALLEN SCREWS WITH THE FOUR FLAT WASHERS AS SHOWN IN FIG. 9. PUSH THE BASE MOUNT TOWARD THE FRONT OF THE SEAT AS YOU TIGHTEN THE SCREWS.
11. ASSEMBLE THE RISER AND THE ADJUSTMENT PLATE AS SHOWN IN FIG. 10. USE THE TWO M6 X 18MM LONG SCREWS WITH A FLAT WASHER AND LOCK WASHER ON EACH SCREW.
12. ASSEMBLE THE RISER TO THE REST OF THE UPPER BACKREST AS SHOWN IN FIG. 11.
13. SLIDE THE RISER THROUGH THE HOLE IN THE SEAT AND ONTO THE TWO SCREWS IN THE BASE MOUNT AS YOU DID IN STEP 8. ADJUST THE ADJUSTMENT PLATE AND THE TOP BRACKET TO YOUR DESIRED POSITION AND MAKE SURE ALL HARDWARE HAS BEEN TIGHTENED.
14. REMOVE THE UPPER BACKREST ASSEMBLY AND SET ASIDE FOR NOW.
15. INSTALL THE BACKREST PLUG COVER ON THE SEAT AS SHOWN IN FIG. 12. (YOU MAY NEED TO WIGGLE THE BACKREST PLUG COVER TO LINE UP THE SLOTS WITH THE SEAT TABS) BE SURE TO PRESS FIRMLY ONCE LINED UP.
16. INSTALL THE UPPER BACKREST ASSEMBLY THROUGH THE BACKREST PLUG COVER. SNAP THE POUCH TO THE BACKREST PAD.



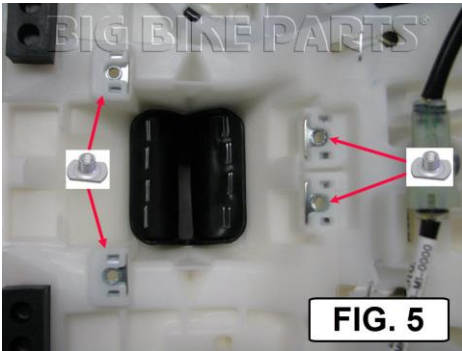


FIG. 5

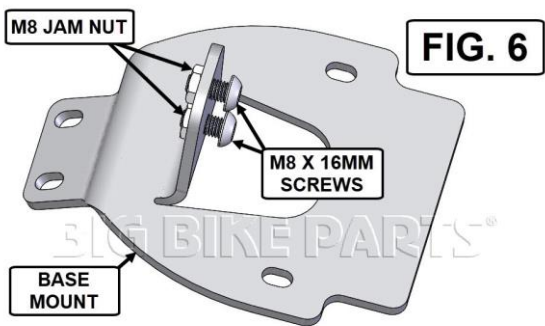


FIG. 6

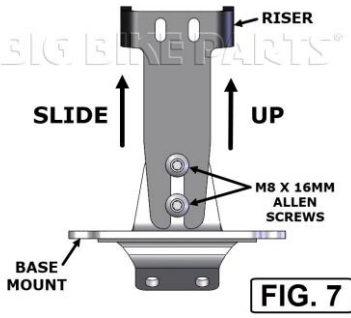


FIG. 7

WARNING
 BACKREST IS DESIGNED TO SUPPORT RIDERS LOWER BACK WHEN RIDING. DO NOT APPLY EXCESSIVE FORCE BY PUSHING BACK WITH YOUR FULL BODY WEIGHT. DO NOT USE BACKREST TO LIFT OR SUPPORT MOTORCYCLE.

NOTICE
 IGNORING THE CONTENTS OF THESE INSTRUCTIONS MAY AFFECT THE PRODUCT PERFORMANCE AND FUNCTIONALITY. NOT FOLLOWING THESE INSTRUCTION MAY CAUSE DAMAGE TO THE PRODUCT OR THE VEHICLE TO WHICH IT IS BEING ATTACHED.

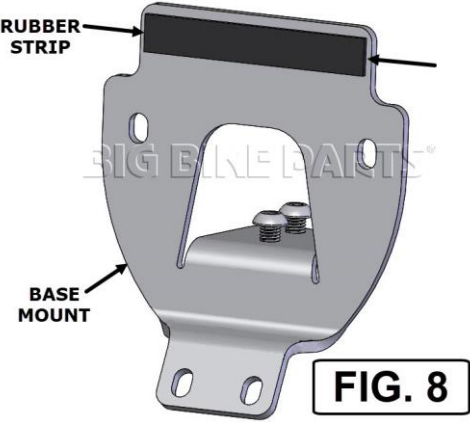


FIG. 8

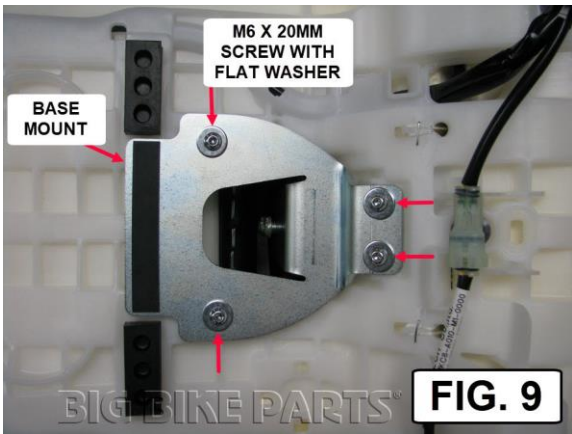


FIG. 9

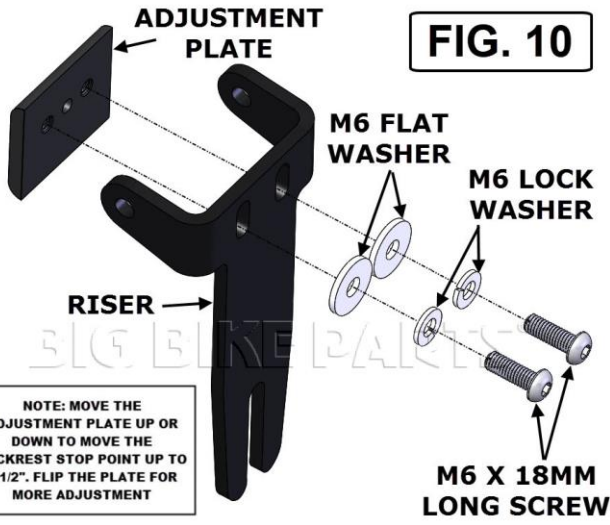


FIG. 10

NOTE: MOVE THE ADJUSTMENT PLATE UP OR DOWN TO MOVE THE BACKREST STOP POINT UP TO 1-1/2". FLIP THE PLATE FOR MORE ADJUSTMENT

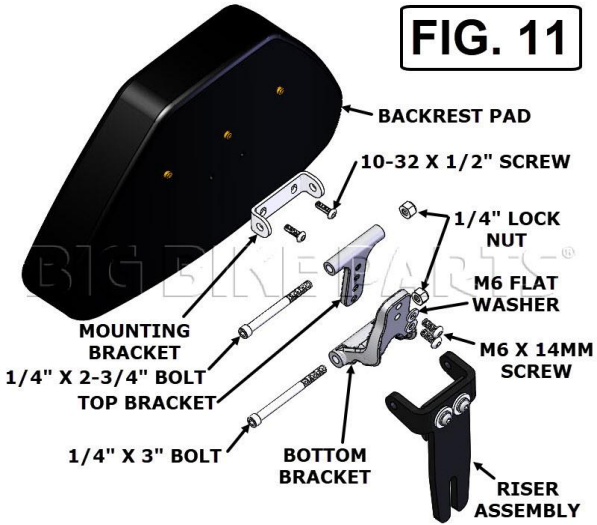


FIG. 11



FIG. 12

BACKREST SEAT PLUG

SEAT