

BIG BIKE PARTS® INSTALLATION INSTRUCTIONS

Copyright© 2007 by Big Bike Parts, Inc. No part of this instruction sheet may be reproduced without the written permission of Big Bike Parts, Inc.

PART NO. 53-133 MINI ELLIPTICAL DRIVING KIT HONDA VT750 ACE VT1100 SABRE & AERO

Revised 07/19/07

TOOLS NEEDED:	10MM WRENCH	12MM WRENCH	5MM ALLEN WRENCH
	#2 PHILLIPS SCREWDRIVER	13MM SOCKET WRENCH	13/16" DRILL BIT
	DRILL	2MM ALLEN WRENCH	8MM ALLEN WRENCH
	THREADLOCKER	4MM ALLEN WRENCH	

NOTE: THREAD LOCKER SHOULD BE USED ON ALL HARDWARE.

NOTE: SET SCREWS FOR THE DRIVING LIGHT VISOR ON THE MINI HALOGENS NEED TO BE REMOVED AND REINSTALLED WITH THREADLOCKER.

INSTALLATION:

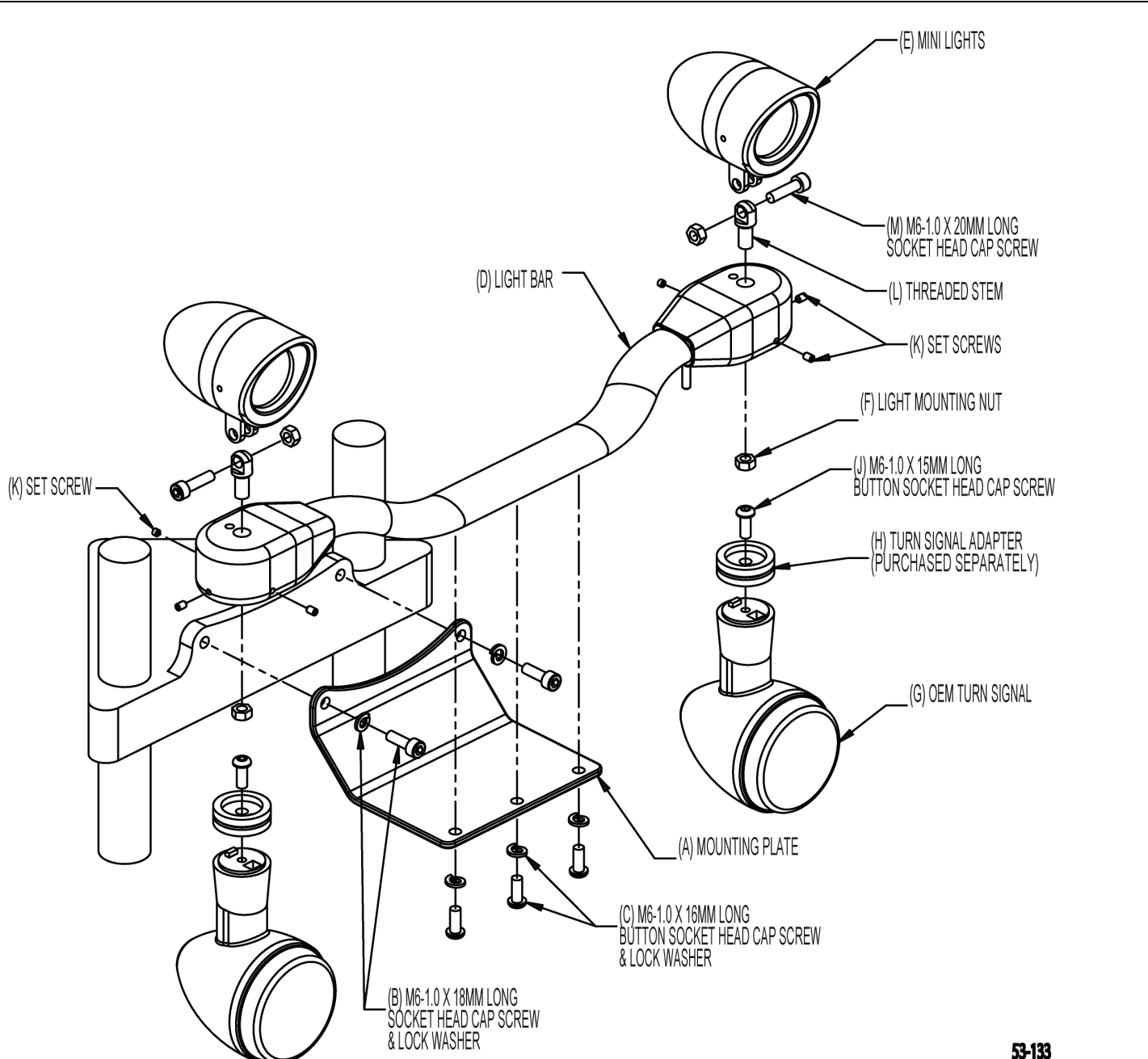
1. DISCONNECT THE NEGATIVE BATTERY CABLE.
2. USING PHILLIPS SCREWDRIVER, REMOVE THE TWO SCREWS ON THE SIDE OF THE HEADLIGHT AND REMOVE THE HEADLIGHT.
3. ON EACH FRONT OEM TURNSIGNAL FOLLOW THE WIRES INTO THE HEADLIGHT HOUSING AND DISCONNECT THEM (UNPLUG THE BULLET CONNECTORS).
4. USING 8MM WRENCH REMOVE THE OEM TURNSIGNALS AND THE MOUNT.
5. USING THE TWO M6 - 1.0 X 18MM LONG SOCKET HEAD CAP SCREWS AND LOCK WASHERS PROVIDED (B) INSTALL THE NEW MOUNTING PLATE (A) IN PLACE OF THE OEM TURNSIGNAL MOUNT. TIGHTEN SECURELY WITH A 5MM ALLEN WRENCH.
6. INSTALL THE NEW MINI LIGHTS (E) ONTO THE LIGHT BAR (D) USING THE THREADED STEM (L) AND LOCK NUTS (F) PROVIDED WITH THE LIGHTS. POSITION THE LIGHTS. TIGHTEN WITH A 13MM SOCKET. (CONNECT THE GROUND WIRE WITH THE RING TERMINAL TO THE M6 - 1.0 X 20MM LONG (M) SOCKET HEAD CAP SCREW AND THE POSITIVE WIRE WITH BULLET CONNECTOR WILL GO INTO THE EXTRA HOLE ON TOP OF LIGHT BAR WILL HAVE TO REMOVE BULLET CONNECTOR TO FIT INTO HOLE).

NOTE: STEPS 7,8,9,10, & 12 ARE FOR INSTALLING OEM TURNSIGNAL WITH PURCHASE OF 55-122T ADAPTER.

7. TO RELOCATE THE OEM TURNSIGNALS (G) REMOVE THEM FROM THE OEM MOUNTING BAR USING A #2 PHILLIPS SCREWDRIVER AND REMOVE THE L-BRACKETS USING A 5MM ALLEN WRENCH.
8. INSTALL EACH OEM TURNSIGNAL (G) ONTO THE TURNSIGNAL ADAPTER (H) ROUTING THE WIRES THROUGH THE EXTRA HOLE IN THE ADAPTER. THEN TIGHTEN THE M6 - 1.0 X 15MM LONG BUTTON SOCKET HEAD CAP SCREW WITH A 5MM ALLEN WRENCH.
9. ROUTE THE TURNSIGNAL (G) WIRES AND THE MINI LIGHT (E) WIRE INTO THE LIGHT BAR (D).
10. THE TURNSIGNAL ADAPTER (H) WITH OEM TURNSIGNAL (G) CAN BE POSITIONED INTO THE LOWER ENDS OF THE LIGHT BAR (D) AND SECURED WITH THE SET SCREWS (K). THERE ARE THREE SET SCREWS ON EACH SIDE.
11. USING THE M6 - 1.0 X 16MM LONG BUTTON SOCKET HEAD CAP SCREWS AND LOCK WASHERS (C) INSTALL THE LIGHT BAR (D) ONTO THE MOUNTING PLATE (A). TIGHTEN SECURELY WITH A 4 MM ALLEN WRENCH.
12. RE-ROUTE THE OEM TURNSIGNAL WIRES INTO THE HEADLIGHT HOUSING AND RECONNECT AS THEY WERE.
13. LOCATE YOUR BIKE'S BATTERY, FUSE BLOCK AND/OR ACCESSORY TERMINALS AND WIRE ACCORDING TO THE DIAGRAM ON BACK.

NOTE: IF A 13-207/52-605/52-605L SWITCH BLOCK IS PURCHASED, STEPS C & E CAN BE SKIPPED AND PLUG ONE OF THE SWITCHES INTO THE RELAY.

- A) CONNECT THE BULLET CONNECTORS ON BLACK WIRES TO BULLET CONNECTORS ON LIGHT.
 - B) WIRE SMALL GREEN AND RED HARNESS WITH IN-LINE FUSE DIRECTLY TO BATTERY: RED (+) POSITIVE, GREEN (-) NEGATIVE.
 - C) FIND A CONVENIENT PLACE TO INSTALL THE SWITCH. DRILL A PILOT HOLE FIRST AND THEN DRILL A 13/16" HOLE. (CAN BE INSTALLED IN SIDE COVER.)
 - D) ROUTE WIRE HARNESS AND PLUG THE THREE SPADE CONNECTORS TO SWITCH PER DIAGRAM: (GREEN=GROUND: ORANGE=SUPPLY: BLUE=LEAD.)
 - E) CONNECT THE RING TERMINAL TO THE BATTERY GROUND AND SPLICE THE T-TAP INTO A KEYED POWER SOURCE AND CONNECT THE MALE SPADE.
 - F) CONNECT THE REMAINING FIVE LEADS (2 BLACK, 1 RED, 1 BLUE, AND 1 GREEN) TO THE RELAY PROVIDED AS PER DIAGRAM.
14. TEST LIGHTS FOR PROPER OPERATION BEFORE REINSTALLING ANY REMOVED SIDE COVERS, SEATS, ETC. SECURE THE RELAY TO KEEP FROM BOUNCING.



53-133

