

# BIG BIKE PARTS®

# INSTALLATION INSTRUCTIONS

Copyright © 2005 by Big Bike Parts, Inc. No part of this instruction sheet may be reproduced without the written permission of Big Bike Parts, Inc.

PART NO. 53-436/53-436L

CONTOUR MINI DRIVING LIGHT KIT

FITMENT: SHADOW VT750 AERO & SPIRT C2 SHAFT DRIVE

11/16/2016

TOOLS NEEDED:	PHILLIPS SCREWDRIVER	2MM ALLEN WRENCH	4MM ALLEN WRENCH	5MM ALLEN WRENCH	12MM WRENCH
	13/16" DRILL BIT	13MM SOCKET WRENCH	10MM WRENCH	6MM ALLEN WRENCH	8MM WRENCH
	DRILL	THREAD LOCKER			

**PLEASE READ THROUGH AND UNDERSTAND THESE INSTRUCTIONS BEFORE BEGINNING. USE A REMOVABLE THREAD LOCK ON ALL FASTENERS.**

**ESTIMATED INSTALLATION TIME: 90 TO 120 MIN.**

## INSTALLATION:

1. DISCONNECT THE NEGATIVE BATTERY CABLE.
2. USING AN 8MM WRENCH, REMOVE THE TWO SCREWS ON THE SIDE OF THE HEADLIGHT HOUSING AND REMOVE THE HEADLIGHT.
3. ON EACH OEM TURN SIGNAL FOLLOW THE WIRES INTO THE HEADLIGHT HOUSING AND DISCONNECT THEM. UNPLUG THE ORANGE AND BLUE CONNECTORS.
4. USING 12MM WRENCH REMOVE THE TWO NUTS (B) UNDER THE LOWER FORK ASSEMBLY WHICH HOLD THE OEM HEADLIGHT BRACKET. (THESE BOLTS WILL NOT BE REUSED, BUT THE NUTS (B) WILL)
5. REMOVE THE CHROME TURN SIGNAL HOUSING AND MAKE SURE TO PULL THE TURN SIGNAL WIRES THROUGH THE HEADLIGHT HOUSING.
6. USING THE 8MM WRENCH REMOVE THE TWO BOLTS THAT HOLD THE MOUNTING PLATE TO THE TURN SIGNAL HOUSING. (THESE BOLTS WILL NOT BE REUSED.)

## NOTE: STEPS 7, 8, 9, 10, 14, 15, 16, & 17 ARE FOR INSTALLING OEM TURN SIGNAL WITH PURCHASE OF 55-122T ADAPTERS.

7. USING THE 8MM WRENCH REMOVE THE TWO BOLTS GOING THROUGH THE FRONT OF THE TURN SIGNAL HOUSING. (THESE BOLTS WILL NOT BE REUSED.)
8. USING A PHILLIPS SCREWDRIVER REMOVE THE TWO SCREWS HOLDING EACH TURN SIGNAL INTO THE HOUSING. (THESE SCREWS WILL NOT BE REUSED.)
9. PULL THE TURN SIGNALS OUT OF THE HOUSING AND PULL THE WIRES ALL THE WAY OUT TOO.
10. USING A 5MM ALLEN WRENCH REMOVE THE BRACKET FROM THE TURN SIGNAL. MAKE SURE YOU MARK THE TURN SIGNALS LEFT AND RIGHT TO GET THEM ON THE NEW LIGHT BAR CORRECTLY.
11. PUT THE NEW M8 - 1.25 X 55MM LONG HEX HEAD FLANGE SCREWS (A) PROVIDED IN THE HEADLIGHT BRACKET AND THROUGH THE FORK BRACKET.
12. INSTALL THE MOUNTING PLATE (E) TO THE FORKS USING SPACERS (J) PROVIDED AND THE NUTS (B) REMOVED IN STEP 4. (THE SPACERS GO BETWEEN THE FORKS AND THE MOUNTING PLATE (E).
13. TAKE EACH MINI LIGHT AND ONE AT A TIME REMOVE THE SET SCREW (Q) AND APPLY A DROP OF THREAD LOCK. REPEAT THIS FOR ALL 6 SET SCREWS.
14. INSTALL THE NEW MINI LIGHTS (I) ONTO THE LIGHT BAR (D) USING THE THREADED STEM (P) AND LOCK NUTS (F) PROVIDED WITH THE LIGHTS. POSITION THE LIGHTS. TIGHTEN WITH A 13MM SOCKET. ( CONNECT THE GROUND WIRE WITH THE RING TERMINAL TO THE M6 - 1.0 X 20MM LONG (O) SOCKET HEAD CAP SCREW AND THE POSITIVE WIRE WITH BULLET CONNECTOR WILL GO INTO THE EXTRA HOLE ON TOP OF LIGHT BAR WILL HAVE TO REMOVE BULLET CONNECTOR TO FIT INTO HOLE.)
15. INSTALL EACH OEM TURN SIGNAL (G) ONTO THE TURN SIGNAL ADAPTER (H) ROUTING THE WIRES THROUGH THE EXTRA HOLE IN THE ADAPTER. THEN USING THE M6 X1.0 X 15MM LONG BUTTON SOCKET HEAD CAP SCREW (L) SECURE THE TURN SIGNAL TO THE ADAPTER.
16. ROUTE THE OEM TURN SIGNAL WIRES AND MINI LIGHT WIRE UNDER THE LIGHT BAR (D). YOU MAY HAVE TO CUT OFF THE OEM CONNECTOR AND RE-CONNECT THEM AFTER THEY ARE ROUTED.
17. THE TURN SIGNAL ADAPTER (H) WITH OEM TURN SIGNAL (G) CAN BE POSITIONED INTO THE LOWER ENDS OF THE LIGHT BAR (D) AND SECURED WITH THE SET SCREWS (K) THE SHORT SET SCREWS GO IN THE BACK HOLES. THERE ARE THREE SET SCREWS ON EACH SIDE.

## NOTE: THERE ARE THREE DIFFERENT SETS OF MOUNTING HOLES ON LIGHT BAR THIS IS FOR ADJUSTABILITY BETWEEN

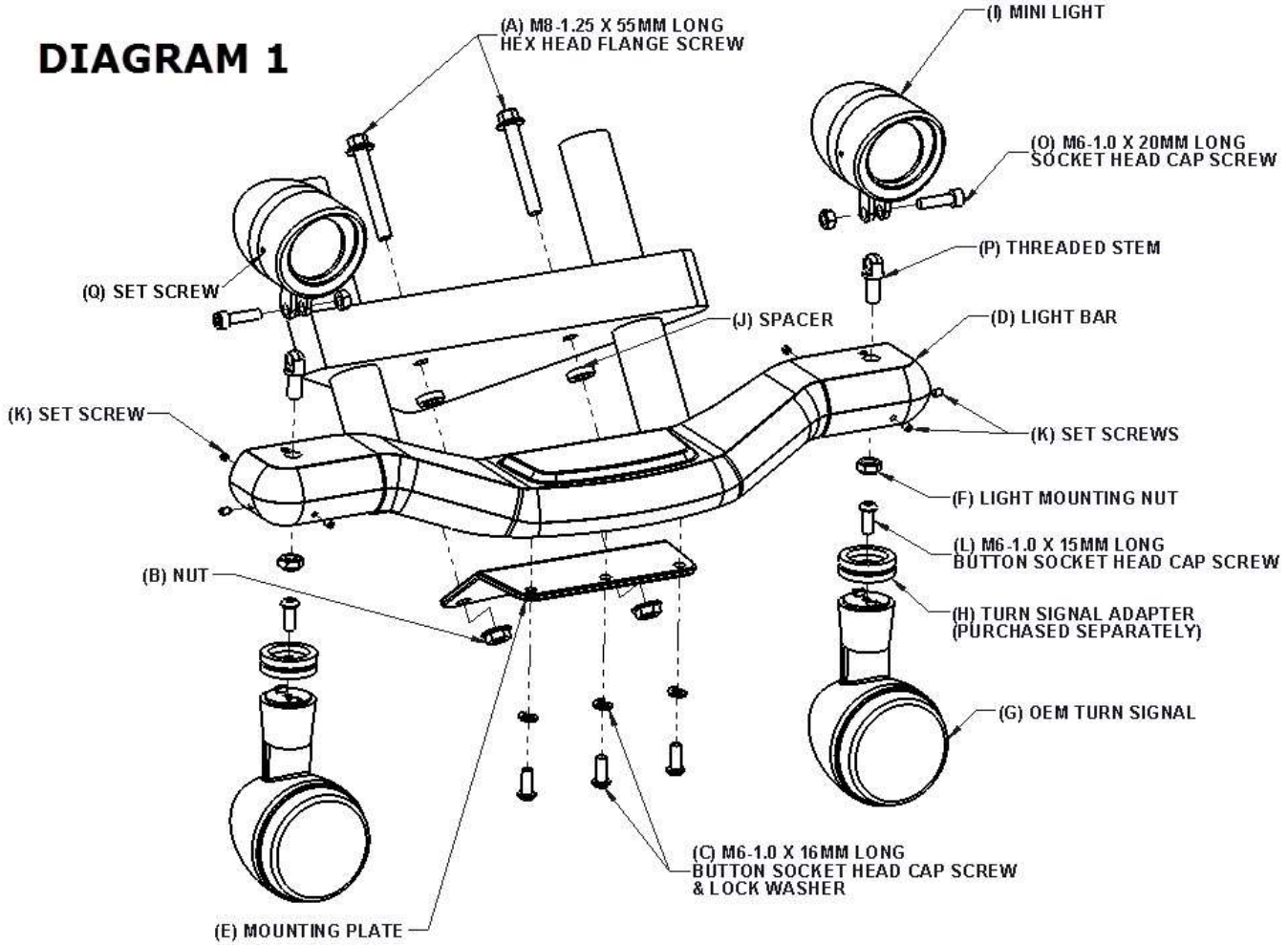
**BIKES. CHOOSE THE ONES THAT WILL GET THE LIGHT BAR CLOSEST TO THE FORKS WITHOUT HITTING ANYTHING.**

18. USING THE M6 - 1.0 X 16MM LONG BUTTON SOCKET HEAD CAP SCREWS AND LOCK WASHERS (C) ATTACH THE LIGHT BAR (D) ONTO THE MOUNTING PLATE (E). TIGHTEN SECURELY WITH A 4MM ALLEN WRENCH.
19. RE-ROUTE THE TURN SIGNAL WIRES INTO THE HEADLIGHT HOUSING AND RE-CONNECT AS THEY WERE.
20. LOCATE YOUR BIKE'S BATTERY, FUSE BLOCK AND /OR ACCESSORY TERMINALS AND WIRE ACCORDING TO THE DIAGRAM ON BACK.

## NOTE: IF A 13-207/52-605 SWITCH BLOCK IS PURCHASED, STEPS C & E CAN BE SKIPPED AND PLUG ONE OF THE SWITCHES INTO THE RELAY.

- A) CONNECT THE BULLET CONNECTORS ON BLACK WIRES TO BULLET CONNECTORS ON LIGHT.
  - B) WIRE SMALL GREEN AND RED HARNESS WITH IN-LINE FUSE DIRECTLY TO BATTERY: RED (+) POSITIVE, GREEN (-) NEGATIVE.
  - C) FIND A CONVENIENT PLACE TO INSTALL THE SWITCH. DRILL A PILOT HOLE FIRST AND THEN DRILL A 13/16" HOLE. (CAN BE INSTALLED IN SIDE COVER.)
  - D) ROUTE WIRE HARNESS AND PLUG THREE SPADE CONNECTORS TO SWITCH PER DIAGRAM: (GREEN=GROUND: ORANGE=SUPPLY: BLUE=LEAD.)
  - E) CONNECT THE RING TERMINAL TO THE BATTERY GROUND AND SPLICE THE T-TAP INTO A KEYED POWER SOURCE AND CONNECT THE MALE SPADE.
  - F) CONNECT THE REMAINING FIVE LEADS (2 BLACK, 1 RED, 1 BLUE, AND 1 GREEN) TO THE RELAY PROVIDE AS PER DIAGRAM.
21. TEST LIGHTS FOR PROPER OPERATION BEFORE REINSTALLING ANY REMOVED SIDE COVERS, SEATS, ETC. SECURE RELAY TO KEEP FROM BOUNCING.
  22. USE THE ADHESIVE WIRE HOLDER TO HOLD WIRE UNDERNEATH THE LIGHT BAR AND OUT OF SIGHT.

# DIAGRAM 1



# DIAGRAM 2

