

Copyright © 2016 by Big Bike Parts, Inc. No part of this instruction sheet may be reproduced without the written permission of Big Bike Parts, Inc.

PART NO. 55-367L

ELLIPTICAL LED DRIVING LIGHT BAR KIT

FITMENT: HONDA VT1300 R/S/T 2010-

10/12/2016

TOOLS NEEDED:	2MM ALLEN WRENCH	4MM ALLEN WRENCH	5MM ALLEN WRENCH	8MM SOCKET WRENCH	10MM SOCKET WRENCH
	PHILLIPS SCREWDRIVER	13MM SOCKET WRENCH	12MM SOCKET WRENCH	FINE TIP MARKER	1/4" DRILL BIT
	DRILL	13/16" DRILL BIT	THREAD LOCK COMPOUND	CLEAR SILICONE	WIRE CUTTER/CRIMPER

**PLEASE READ THROUGH AND UNDERSTAND THESE INSTRUCTIONS BEFORE BEGINNING. USE REMOVABLE THREAD LOCK ON ALL SCREWS.**

**ESTIMATED INSTALLATION TIME: 60 TO 90 MIN.**

## INSTALLATION:

- DISCONNECT THE NEGATIVE BATTERY CABLE.
- USING 5MM ALLEN WRENCH REMOVE THE SCREW HOLDING THE FRONT HEADLIGHT ASSEMBLY IN PLACE. REMOVE THE HEADLIGHT LENS TO ACCESS THE LIGHT HARNESS.
- FOLLOW THE WIRES FROM EACH TURN SIGNAL INTO THE HEADLIGHT SHELL AND DISCONNECT FROM THE LIGHT HARNESS CONNECTORS. MARK THE CONNECTORS TO INDICATE WHICH THE RIGHT TURN SIGNAL IS AND WHICH IS THE LEFT TURN SIGNAL.
- REMOVE THE BOLT THAT HOLDS THE TURN SIGNAL TO THE FORK. WITH THE BOLT REMOVED THE RUBBER CLAMP CAN BE OPENED UP AND SLID OVER THE FORK. REPEAT FOR OTHER SIGNAL.
- REMOVE THE LENS FROM THE OEM TURN SIGNAL BY REMOVING THE SCREW ON THE SIDE AND PULLING THE LENS FORWARD. REMOVE THE BULB. REMOVE THE STEEL SIDE PLATE BY SLIDING IT OUT OF THE MOUNTING SLOTS.
- REMOVE THE TWO SCREWS HOLDING THE STEEL BACKING PLATE IN PLACE. REMOVE THE BACKING PLATE AND THE BULB TERMINAL.
- THE WIRES INSIDE THE SIGNAL SHELL ARE MOUNTED IN A ROUND RUBBER PLUG THAT FITS INSIDE THE STEM OF THE RUBBER TURN SIGNAL MOUNT. GENTLY PRY THE RUBBER PLUG OUT OF THE STEM TO FREE THE WIRE HARNESS. FEED THE TURN SIGNAL WIRE UP THROUGH THE RUBBER MOUNT AND INTO THE TURN SIGNAL SHELL. THIS WILL ALLOW THE TURN SIGNAL WIRE HARNESS TO BE REMOVED FROM THE TURN SIGNAL ASSEMBLY.
- THE RUBBER TURN SIGNAL MOUNT CAN NOW BE REMOVED FROM THE CHROME TURN SIGNAL SHELL BY CAREFULLY PULLING IT OUT OF THE SOCKET. IT WILL TAKE SOME EFFORT TO PULL THE END OF THE RUBBER MOUNT THROUGH THE HOLE OF THE CHROME SHELL.
- TAKE A TURN SIGNAL ADAPTER (**BBP#82-222T**) AND PLACE AS SHOWN IN **FIG. 1**. ALIGN THE CENTER OF THE HOLE ON THE ADAPTER WITH THE SEAM ON THE STEM OF THE TURN SIGNAL SHELL. MARK THE CENTER OF THE HOLE WITH A FINE TIPPED MARKER.
- DRILL A 1/4" HOLE THROUGH THE MARK ON THE STEM OF THE TURN SIGNAL SHELL. **BE CAREFUL NOT TO DRILL THROUGH BOTH SIDES.**
- APPLY A BEAD OF CLEAR SILICONE SEALANT TO THE EDGE OF THE STEM OPENING AND FIT THE ADAPTER TO THE TURN SIGNAL SHELL. SECURE THE ADAPTER WITH THE M6-1.0 X 11MM BUTTON SOCKET HEAD CAP SCREW (B). SEE **FIG. 2**.
- CUT THE CONNECTOR FROM THE END OF THE TURN SIGNAL WIRE HARNESS ABOUT 2" FROM THE END. SAVE THE CONNECTOR. YOU WILL NEED TO ADD WIRE LENGTH FOR THE HARNESS TO REACH THE CONNECTION INSIDE THE HEADLIGHT SHELL.
- THREAD THE TURN SIGNAL WIRE HARNESS BACK THROUGH THE TURN SIGNAL SHELL AND ADAPTER. REINSTALL THE LIGHT SOCKET, THE SOCKET PLATE, AND THE SIDE PLATE. INSTALL THE BULB AND LENS.
- REPEAT FOR THE OTHER TURN SIGNAL.
- REMOVE THE TWO BOLTS HOLDING THE HEADLIGHT TO THE LOWER TRIPLE TREE. SEE **FIG. 2**.
- SLIDE THE MOUNTING PLATE UNDER THE BASE OF THE HEADLIGHT AND ALIGN THE HOLES WITH THE HOLES IN THE LOWER TRIPLE TREE. REINSTALL THE BOLTS AND NUTS AND TIGHTEN SECURELY.
- INSTALL THE LED LIGHTS (E) ONTO THE LIGHT BAR (D) USING THE LOCK NUT (F) PROVIDED WITH THE LED LIGHTS.
- ROUTE THE OEM TURN SIGNAL WIRES AND THE LED LIGHT WIRE INTO THE LIGHT BAR (D). YOU MAY HAVE TO CUT OFF THE BULLET CONNECTOR AND ADD NEW ONES AFTER THEY ARE ROUTED.
- THE TURN SIGNAL ADAPTERS (H) WITH OEM TURN SIGNALS (G) NEED TO BE POSITIONED INTO THE LOWER ENDS OF THE NEW LIGHT BAR (D) AND SECURED WITH THE SET SCREWS (K). THERE ARE THREE SET SCREWS ON EACH SIDE. SEE **FIG. 2**.
- USING THE M6-1.0 X 16MM LONG BUTTON HEAD CAP SCREWS AND LOCK WASHERS (C), INSTALL THE LIGHT BAR (D) ONTO THE MOUNTING PLATE (A). TIGHTEN SECURELY WITH 4MM ALLEN WRENCH.
- RE-ROUTE THE OEM TURN SIGNAL WIRES. YOU MAY HAVE TO ADD WIRE LENGTH FOR THE WIRES TO REACH. REATTACH THE CONNECTORS TO THE WIRES AND RECONNECT TO THE BIKE.

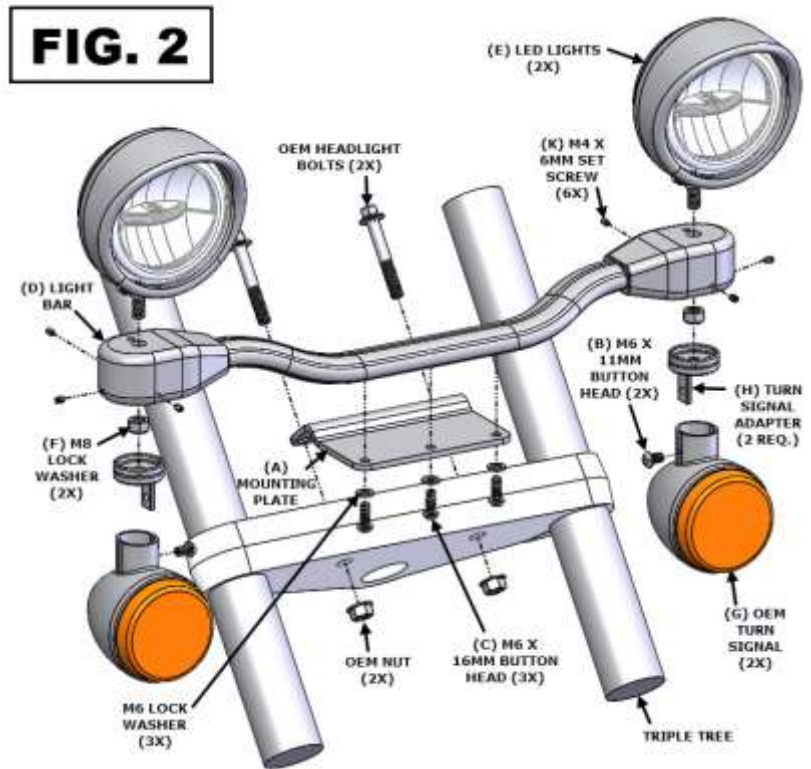
## WIRING THE DRIVING LIGHTS (SEE FIG. 3)

**NOTE: IF A 13-207/52-605L SWITCH BLOCK IS PURCHASED, STEPS C & E CAN BE SKIPPED AND PLUG ONE OF THE SWITCHES INTO THE RELAY.**

- CONNECT THE BLACK WIRES TO THE CONNECTORS ON EACH LIGHT. THE OTHER ENDS OF THE BLACK WIRES CONNECT TO THE RELAY AS SHOWN IN THE DIAGRAM. THE RELAY CAN BE LOCATED UNDER THE SIDE COVER OR SEAT. THE WIRES CAN BE ROUTED THROUGH THE LIGHT BAR AND UNDER THE FUEL TANK OR ALONG THE INSIDE OF THE FRAME TO KEEP THEM OUT OF SIGHT.
- THE WIRE HARNESS WITH THE RED AND GREEN WIRES CONNECTS THE BATTERY TO THE RELAY. THIS HARNESS ALSO HAS AN INLINE FUSE ON THE RED WIRE. THE ENDS WITH THE RING TERMINALS SHOULD BE PLACED UNDER THE SCREWS THAT HOLD THE BATTERY CABLES TO THE BATTERY TERMINALS. CONNECT THE OTHER ENDS OF THE HARNESS TO THE RELAY AS SHOWN IN THE DIAGRAM.

**NOTE: IF A BIG BIKE PARTS ACCESSORY SWITCH BLOCK (13-207 OR 52-605) HAS BEEN PURCHASED YOU CAN USE THIS TO CONTROL THE LIGHTS IN PLACE OF THE SWITCH THAT HAS BEEN SUPPLIED WITH THE DRIVING LIGHT KIT. FOLLOW THE WIRING INSTRUCTIONS IN THE SWITCH BLOCK KIT FOR DIRECTIONS ON CONNECTING THE SWITCH BOX TO THE RELAY AND OMIT STEPS C, D AND E BELOW.**

- C. FIND A CONVENIENT PLACE TO INSTALL THE SWITCH. DRILL A 1/4" PILOT HOLE FIRST AND THEN DRILL IT OUT LARGER WITH A 13/16" DRILL BIT. THE SIDE COVER MAY BE A GOOD LOCATION FOR THE SWITCH.
  - D. THE WIRE HARNESS WITH THREE WIRES (ORANGE, BLUE, AND GREEN) CONNECTS TO THE SWITCH. THE END OF THE HARNESS WITH THE THREE PUSH ON CONNECTORS GOES TO THE TERMINALS OF THE SWITCH AS SHOWN IN THE DIAGRAM.
  - E. FROM THE SWITCH, THE GREEN WIRE CAN BE CONNECTED TO THE NEGATIVE TERMINAL OF THE BATTERY. THE BLUE WIRE CONNECTS TO THE RELAY AS SHOWN IN THE DIAGRAM. THE ORANGE WIRE WILL NEED TO CONNECT TO A KEYED POWER SOURCE. A KEYED POWER SOURCE IS A WIRE THAT HAS POWER ONLY WHEN THE KEY IS IN THE "ACCESSORY" OR "ON" POSITION. WHEN A KEYED POWER SOURCE WIRE IS FOUND, CLAMP THE T-TAP CONNECTOR TO THE WIRE AND THEN CONNECT THE ORANGE WIRE TO THE T-TAP.
  - F. ROUTE THE BARE ENDED WIRES ON EACH LIGHT THROUGH THE LIGHT BAR AND OUT THE MIDDLE HOLE. ATTACH RING TERMINALS TO THE BARE ENDS OF THE WIRES AND THEN PLACE THEM UNDER THE M6-1.0 X 16MM MOUNTING SCREWS UNDER THE LIGHT BAR. TIGHTEN THE SCREWS SECURELY TO INSURE THAT THE LIGHTS HAVE A GOOD GROUND.
22. TEST LIGHTS FOR PROPER OPERATION BEFORE REINSTALLING ANY REMOVED SIDE COVERS, SEATS, ETC. SECURE RELAY TO KEEP FROM BOUNCING.



**\*ONE AS SHOWN AND ONE OPPOSITE\***

