

Copyright © 2015 by Big Bike Parts, Inc. No part of this instruction sheet may be reproduced without the written permission of Big Bike Parts, Inc.

PART NO. 6-120

POWDER FLOW CONTROL

DILLON POWDER BARS

6/11/2015

TOOLS NEEDED:	7/16" WRENCH	REMOVABLE THREAD LOCK COMPOUND	RETAINING COMPOUND (LOCTITE® 609 OR 680)	RUBBING ALCOHOL	CLEAN RAG
---------------	--------------	--------------------------------	--	-----------------	-----------

PLEASE READ THROUGH AND UNDERSTAND THESE INSTRUCTIONS BEFORE BEGINNING.

INSTALLATION:

1. USING A 7/16" WRENCH TIGHTEN THE ADJUSTMENT BOLT ON THE POWDER BLOCK UNTIL THE STUD BLOCK BECOMES LOOSE. SEE FIG. 1.
 2. REMOVE THE STUD BLOCK AND SET ASIDE.
 3. USING A 7/16" WRENCH REMOVE THE BOLT AND SPRING WASHER FROM THE POWDER BLOCK. THESE ITEMS WILL NOT BE REUSED.
 4. USING A CLEAN RAG AND RUBBING ALCOHOL CLEAN THE POWDER BLOCK, POWDER GATE, AND THE NEW FLOW CONTROL. LET DRY.
 5. TAKE THE FLOW CONTROL AND ADJUST THE DIAL SO THAT IT READS "ZERO". SEE FIG. 2.
- NOTE: IF DIAL IS HARD TO ADJUST USE A SMALL PLIER ON THE MOUNTING AREA (SEE FIG.4) AND MOVE THE DIAL OUT AND IN TO LOOSEN. IF NEEDED APPLY A SMALL DROP OF LIGHT LUBRICANT BETWEEN THE DIAL AND THE BASE.**
6. PUT A SMALL DROP OF REMOVABLE THREAD LOCK ON THE THREADED END OF THE FLOW CONTROL. SEE FIG. 2.
 7. INSERT THE FLOW CONTROL THROUGH THE BOLT HOLE ON THE POWDER BLOCK AND THREAD IT INTO THE END OF THE POWDER GATE. SEE FIG. 3.
 8. ADJUST THE THREADS SO THAT THE POWDER GATE AND THE FLOW CONTROL ARE IN THE FULLY CLOSED POSITION AS SHOWN IN FIG. 3.
 9. SLIDE THE POWDER GATE AND THE FLOW CONTROL OUT SO THAT THE MOUNTING AREA IS EXPOSED. SEE FIG. 4.
 10. APPLY A SMALL AMOUNT OF RETAINING COMPOUND TO THE MOUNTING AREA ON THE FLOW CONTROL. *BE CAREFUL NOT TO GET COMPOUND ON THE SHAFT.*
 11. SLIDE THE FLOW CONTROL BACK INTO PLACE AND CLEAN OFF ANY EXCESS RETAINING COMPOUND.
 12. REINSTALL STUD BLOCK INTO POWDER BLOCK.
 13. LET ASSEMBLY CURE FOR 24 HOURS BEFORE USING.

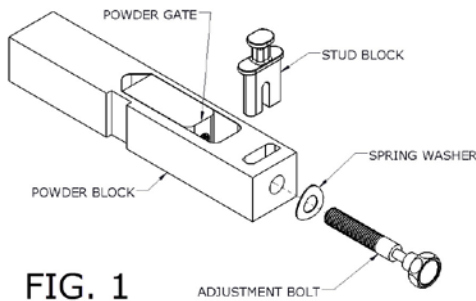


FIG. 1

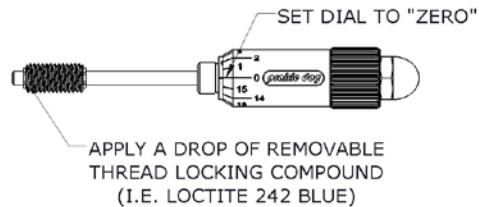
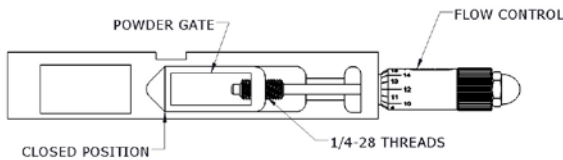


FIG. 2



**BOTTOM VIEW
FIG. 3**

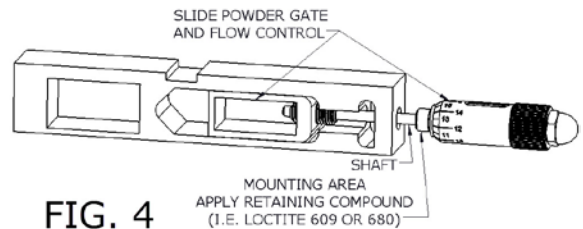


FIG. 4