

Copyright © 2019 by Big Bike Parts, Inc. No part of this instruction sheet may be reproduced without the written permission of Big Bike Parts, Inc.

PART NO. 61-122

DRIVER BACKREST

FITMENT: YAMAHA STAR VENTURE 2018-NEWER

3/26/2019

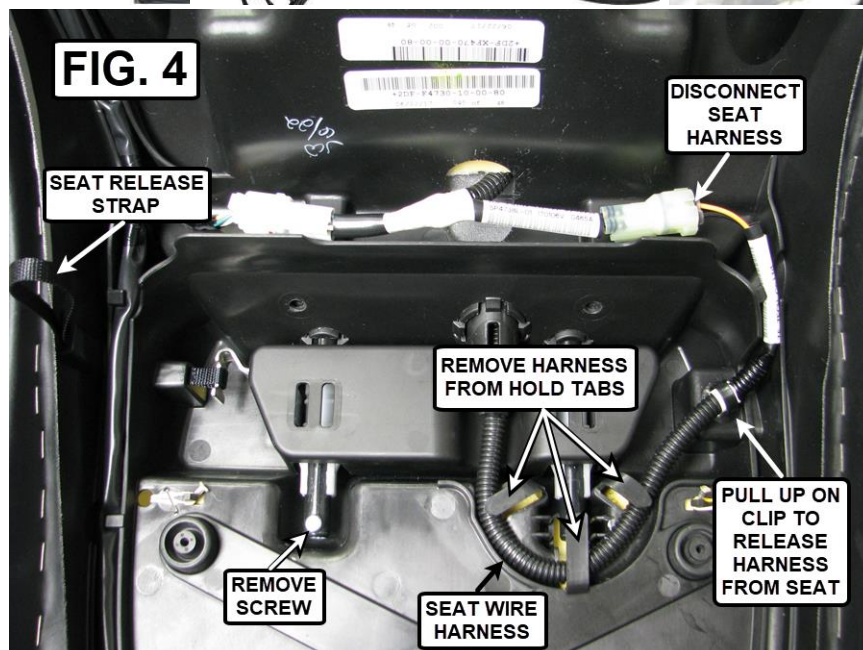
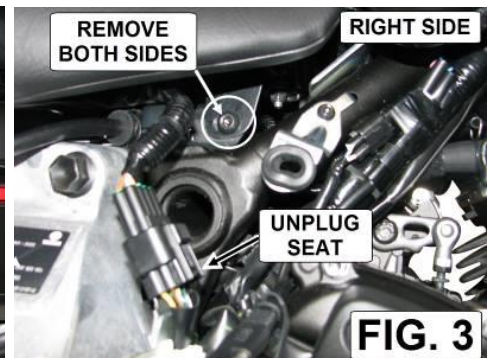
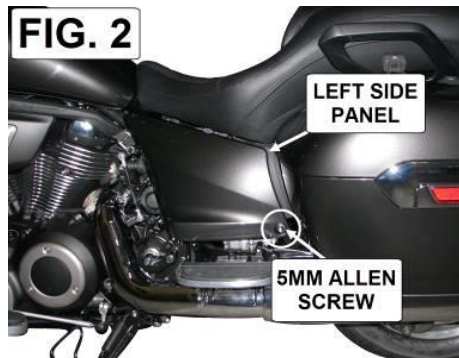
TOOLS NEEDED:	3MM ALLEN WRENCH	4MM ALLEN WRENCH	5MM ALLEN WRENCH	7/16" (11MM) WRENCH	1/2" (13MM) WRENCH
	PHILLIPS SCREWDRIVER	5/16" OR 8MM DRILL BIT	DRILL	LINT FREE TOWEL	REMOVABLE THREAD LOCK

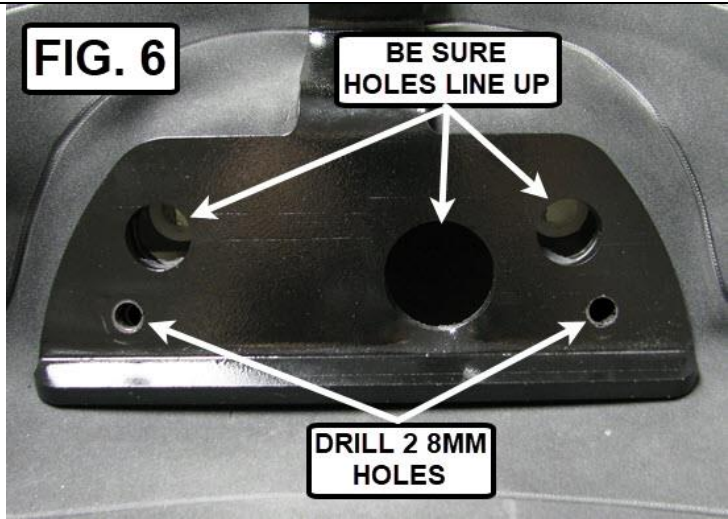
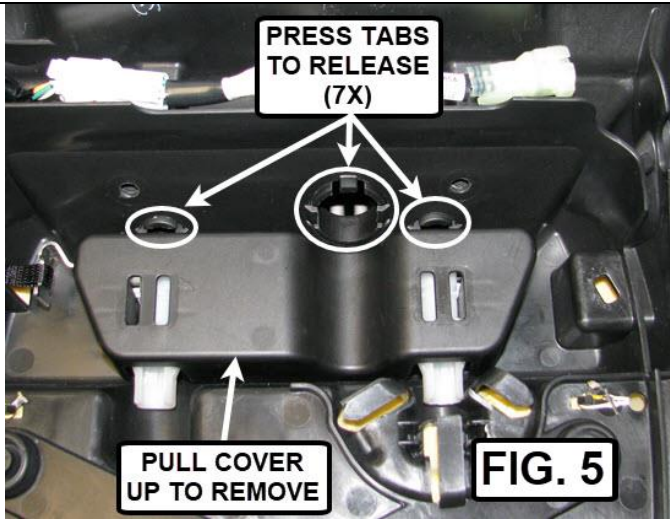
PLEASE READ THROUGH AND UNDERSTAND THESE INSTRUCTIONS BEFORE BEGINNING. USE REMOVABLE THREAD LOCK ON ALL FASTENERS.

ESTIMATED INSTALLATION TIME: 30 TO 45 MIN.

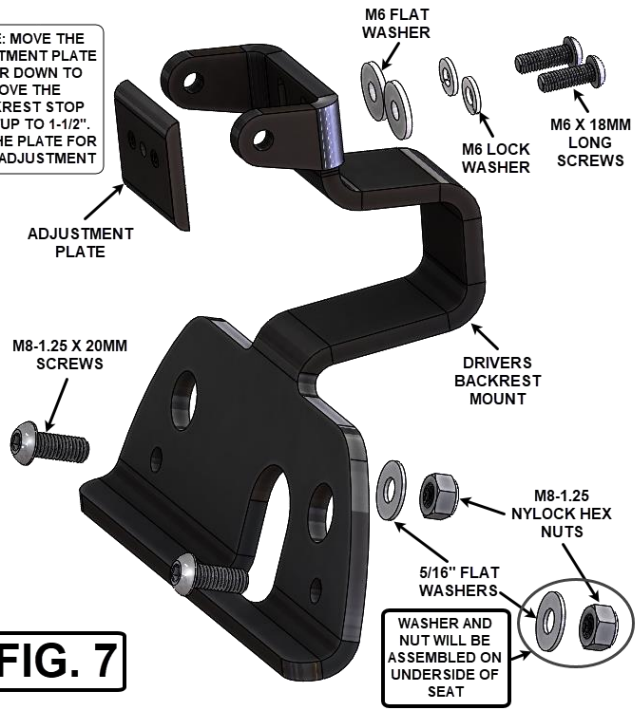
INSTALLATION:

1. REMOVE THE RIGHT SIDE PANEL FROM THE BIKE BY TURNING THE 1/4 TURN FASTENER COUNTER CLOCKWISE AND THEN PULL THE COVER TO REMOVE IT. SEE FIG. 1.
2. REMOVE THE ALLEN SCREW IN THE LEFT SIDE PANEL WITH A 5MM ALLEN WRENCH. THEN PULL THE PANEL OUT TO REMOVE IT. SEE FIG. 2.
3. ON THE RIGHT SIDE UNPLUG THE SEAT CONNECTOR. THE RELEASE FOR THE CONNECTOR IS AT THE END OF THE ARROW IN FIG. 3.
4. USING A 5MM ALLEN WRENCH REMOVE THE BLACK SEAT SCREW SHOWN IN FIG. 3. ALSO REMOVE THE OTHER SEAT SCREW ON THE LEFT SIDE.
5. LIFT UP THE FRONT OF THE SEAT AND PULL IT FORWARD TO REMOVE IT.
6. SET THE SEAT UPSIDE DOWN ON A CLEAN TOWEL.
7. REMOVE THE SCREW AND DISCONNECT THE WIRE HARNESS SHOWN IN FIG. 4 (PULL RELEASE TAB UP LOCATED AT THE END OF THE ARROW).
8. REMOVE THE HARNESS FROM THE HOLDING TABS AND REMOVE THE HARNESS CLIP BY CAREFULLY PULLING STRAIGHT OUT (FIG. 4).
9. PULL THE SEAT RELEASE STRAP (FIG. 4) AND PULL THE ADJUSTABLE SEAT PAD FORWARD TO REMOVE IT FROM THE SEAT. FEED THE WIRE HARNESS THROUGH THE SEAT TO REMOVE AND SET ASIDE FOR NOW.
10. REMOVE THE COVER SHOWN IN FIG. 5 BY PULLING STRAIGHT UP.
11. PRESS THE 7 TABS SHOWN IN FIG. 5 TO RELEASE. REMOVE THE PLASTIC PLATE FROM THE TOP OF THE SEAT. (WILL NOT BE REUSED)
12. FLIP THE SEAT OVER. HOLD THE BACKREST BASE IN PLACE ON THE SEAT (FIG. 6). (BEFORE DRILLING, BE SURE HOLES LINE UP TO ALLOW TUBES FROM THE ADJUSTABLE SEAT PAD TO PASS THROUGH) USING THE BACKREST BASE AS A GUIDE, DRILL TWO 5/16" (8MM) HOLES THROUGH THE SEAT.
13. ASSEMBLE THE LOWER PART OF THE BACKREST MOUNT ASSEMBLY AND INSTALL ON THE SEAT ACCORDING TO FIG. 7.
14. REPEAT STEPS 1 THROUGH 9 IN REVERSE ORDER.
15. ASSEMBLE THE REST OF THE BACKREST ACCORDING TO FIG. 8.





NOTE: MOVE THE ADJUSTMENT PLATE UP OR DOWN TO MOVE THE BACKREST STOP POINT UP TO 1-1/2". FLIP THE PLATE FOR MORE ADJUSTMENT



NOTICE
THIS SET CONTAINS EXTRA HARDWARE ITEMS THAT WILL NOT BE USED FOR THIS INSTALLATION

WARNING
BACKREST IS DESIGNED TO SUPPORT RIDERS LOWER BACK WHEN RIDING. DO NOT APPLY EXCESSIVE FORCE BY PUSHING BACK WITH YOUR FULL BODY WEIGHT. DO NOT USE BACKREST TO LIFT OR SUPPORT MOTORCYCLE.

NOTICE
IGNORING THE CONTENTS OF THESE INSTRUCTIONS MAY AFFECT THE PRODUCT PERFORMANCE AND FUNCTIONALITY. NOT FOLLOWING THESE INSTRUCTION MAY CAUSE DAMAGE TO THE PRODUCT OR THE VEHICLE TO WHICH IT IS BEING ATTACHED.

