

Copyright © 2016 by Big Bike Parts, Inc. No part of this instruction sheet may be reproduced without the written permission of Big Bike Parts, Inc.

PART NO. 71-136/71-136L

CONTOUR MINI DRIVING LIGHT KIT

FITMENT: KAWASAKI VN2000

11/28/2016

TOOLS NEEDED:	PHILLIPS SCREWDRIVER	2MM ALLEN WRENCH	4MM ALLEN WRENCH	5MM ALLEN WRENCH	10MM SOCKET WRENCH
	13MM SOCKET WRENCH	DRILL	13/16" DRILL BIT	WIRE CUTTER/CRIMPER	THREAD LOCKER

**PLEASE READ THROUGH AND UNDERSTAND THESE INSTRUCTIONS BEFORE BEGINNING. USE REMOVABLE THREAD LOCK ON ALL FASTENERS.**

**ESTIMATED INSTALLATION TIME: 90 TO 120 MIN.**

**INSTALLATION: DIAGRAM 1**

1. DISCONNECT THE NEGATIVE BATTERY CABLE.
2. REMOVE THE FRONT COVER TO THE HEADLIGHT HOUSING USING THE 4MM ALLEN WRENCH. ONCE REMOVED, DISCONNECT THE HEADLIGHT AND SET ASIDE.
3. DISCONNECT THE TURN SIGNALS FROM INSIDE THE HEADLIGHT HOUSING, NOTING AS TO WHICH ONE IS THE LEFT AND RIGHT TURN SIGNAL.
4. REMOVE THE OEM LIGHT BAR USING A 10MM WRENCH TO REMOVE THE TWO BOLTS HOLDING IT ON AT THE BOTTOM OF THE TRIPLE TREE.
5. TAKE EACH MINI LIGHT AND ONE AT A TIME REMOVE THE SET SCREW (Q) AND APPLY A DROP OF THREAD LOCK. REPEAT THIS FOR ALL 6 SET SCREWS.
6. INSTALL THE MINI LIGHTS (H) ON TO THE LIGHT BAR (G) USING THREADED STEM (D) AND LOCK NUTS (P) PROVIDED WITH THE LIGHTS. TIGHTEN WITH A 13MM SOCKET. (CONNECT THE GROUND WIRE WITH THE RING TERMINAL TO THE M6 X 1.00 X 20MM LONG (I) SOCKET HEAD CAP SCREW AND THE POSITIVE WIRE WITH BULLET CONNECTOR WILL GO INTO THE EXTRA HOLE ON TOP OF THE LIGHT BAR. YOU WILL HAVE TO REMOVE THE BULLET CONNECTOR TO FIT INTO HOLE.

**NOTE: STEPS 7, 8, 9, AND 12 ARE FOR INSTALLING OEM TURN SIGNALS WITH 71-134T ADAPTERS.**

7. REMOVE THE TURN SIGNALS FROM THE LIGHT BAR BY USING A PHILLIPS SCREWDRIVER TO REMOVE THE SCREW AT THE BACK OF THE TURN SIGNALS. THEN REMOVE THEM FROM THE LIGHT BAR BY PULLING THE WIRES AND CONNECTOR OUT OF THE LIGHT BAR.
8. INSTALL EACH OEM TURN SIGNAL (K) ONTO THE TURN SIGNAL ADAPTER (L), ROUTING THE WIRES THROUGH THE EXTRA HOLE IN THE ADAPTER. USE THE SCREW REMOVED IN STEP 6 TO ATTACH THE TURN SIGNAL TO THE TURN SIGNAL INSERT.
9. ROUTE THE OEM TURN SIGNAL WIRES AND MINI LIGHT WIRE UNDER THE LIGHT BAR (G).
10. THE TURN SIGNAL ADAPTER (L) WITH OEM TURN SIGNAL (K) CAN BE POSITIONED INTO THE LOWER ENDS OF THE LIGHT BAR (G) AND SECURED WITH THE SET SCREWS (N). THE SHORT SET SCREWS GO IN THE BACK HOLES. THERE ARE THREE SET SCREWS ON EACH SIDE.
11. INSTALL THE MOUNTING PLATE (E) TO THE BOTTOM OF THE TRIPLE TREE USING THE M6 – 1.0 X 12MM LONG BUTTON SOCKET HEAD CAP SCREWS (C) PROVIDED.

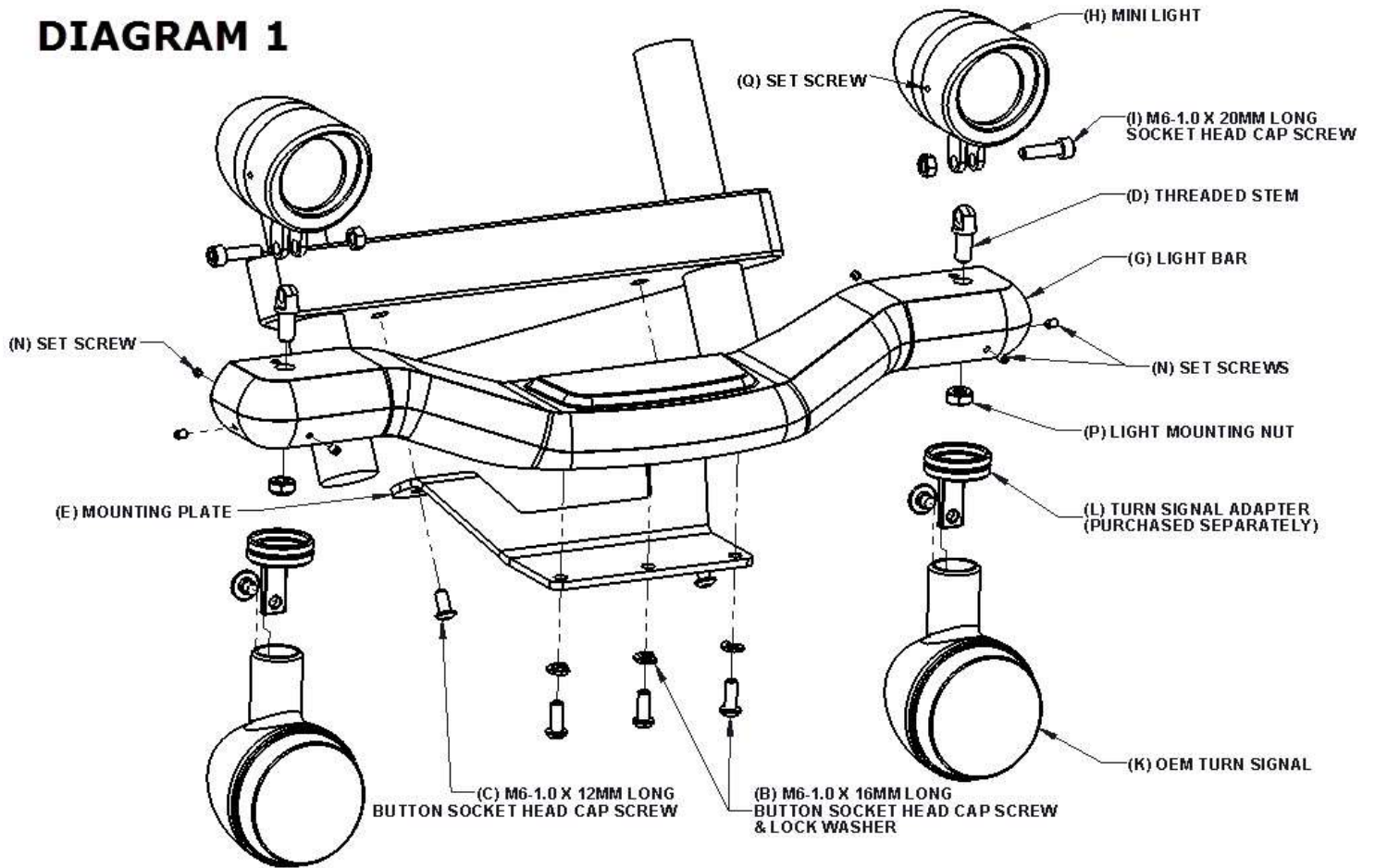
**NOTE: THERE ARE THREE DIFFERENT SETS OF MOUNTING HOLES ON THE LIGHT BAR. THIS IS FOR ADJUSTABILITY BETWEEN BIKES. CHOOSE THE ONES THAT WILL GET THE LIGHT BAR CLOSEST TO THE FORKS WITHOUT HITTING ANYTHING.**

12. USING THE M6 - 1.0 X 16MM LONG SOCKET HEAD CAP SCREWS AND LOCK WASHERS PROVIDED (B), INSTALL THE NEW MOUNTING PLATE (E) TO THE LIGHT BAR (G). TIGHTEN SECURELY WITH A 4MM ALLEN WRENCH.
13. RE-ROUTE THE TURN SIGNAL (K) WIRES. WIRE INTO THE HEADLIGHT HOUSING AND RE-CONNECT AS THEY WERE. YOU MAY NEED TO ADD LENGTH TO THE WIRES.
14. LOCATE YOUR BIKE'S BATTERY, FUSE BLOCK, AND/OR ACCESSORY TERMINALS AND WIRE ACCORDING TO **DIAGRAM 2**.

**NOTE: IF A 13-207 SWITCH BLOCK IS PURCHASED, STEPS C & E CAN BE SKIPPED AND PLUG ONE OF THE SWITCHES INTO THE RELAY.**

- A) CONNECT THE BULLET CONNECTORS ON BLACK WIRES TO BULLET CONNECTORS ON LIGHT.
- B) WIRE SMALL GREEN AND RED HARNESS WITH IN-LINE FUSE DIRECTLY TO THE BATTERY: RED (+) POSITIVE, GREEN (-) NEGATIVE.
- C) FIND A CONVENIENT PLACE TO INSTALL THE SWITCH. DRILL A PILOT HOLE FIRST AND THEN DRILL A 13/16" HOLE.
- D) ROUTE WIRE HARNESS, AND PLUG THE THREE SPADE CONNECTORS TO SWITCH PER DIAGRAM: (GREEN=GROUND: ORANGE=SUPPLY: BLUE=LEAD.)
- E) CONNECT THE RING TERMINAL TO THE BATTERY GROUND AND SPLICE THE T-TAP INTO A KEYED POWER SOURCE AND CONNECT THE MALE SPADE.
- F) CONNECT THE REMAINING FIVE LEADS (2 BLACK, 1 RED, 1 BLUE, AND 1 GREEN) TO THE RELAY PROVIDED AS PER DIAGRAM.
15. TEST LIGHTS FOR PROPER OPERATION BEFORE REINSTALLING ANY REMOVED SIDE COVERS, SEATS, ETC. SECURE RELAY TO KEEP FROM BOUNCING.
16. USE THE ADHESIVE WIRE HOLDER TO HOLD THE WIRES UNDERNEATH THE LIGHT BAR AND OUT OF SIGHT.

# DIAGRAM 1



# DIAGRAM 2

