

BIG BIKE PARTS[®]

INSTALLATION INSTRUCTIONS

Copyright © 2016 by Big Bike Parts, Inc. No part of this instruction sheet may be reproduced without the written permission of Big Bike Parts, Inc.

PART NO. 82-237L

ELLIPTICAL LED DRIVING LIGHT BAR KIT

FITMENT: SUZUKI VL800, C50, VOLUSIA, BOULEVARD

10/13/2016

TOOLS NEEDED:	2MM ALLEN WRENCH	3MM ALLEN WRENCH	4MM ALLEN WRENCH	5MM ALLEN WRENCH	6MM ALLEN WRENCH
	PHILLIPS SCREWDRIVER	10MM SOCKET WRENCH	13MM SOCKET WRENCH	13/16" DRILL BIT	THREAD LOCK COMPOUND
	DRILL	14MM WRENCH			

PLEASE READ THROUGH AND UNDERSTAND THESE INSTRUCTIONS BEFORE BEGINNING. USE REMOVABLE THREAD LOCK ON ALL FASTENERS.

ESTIMATED INSTALLATION TIME: 60 TO 90 MIN.

INSTALLATION:

1. DISCONNECT THE NEGATIVE BATTERY CABLE.
2. USING A 3MM ALLEN WRENCH REMOVE THE SCREW UNDERNEATH THE OEM TURN SIGNAL BAR COVER. REMOVE THE COVER.
3. USING A PHILLIPS SCREWDRIVER REMOVE THE SCREW ON EACH SIDE OF THE HEADLIGHT HOUSING. REMOVE AND UNPLUG THE HEADLIGHT.
4. USING A 14MM WRENCH REMOVE THE NUT HOLDING EACH TURN SIGNAL TO THE TURN SIGNAL BRACKET. FOLLOW THE WIRES INTO THE HEADLIGHT HOUSING AND UNPLUG. BE SURE TO MARK WHICH IS THE LEFT OR RIGHT TURN SIGNAL.
5. VL800 ONLY: USING A PHILLIPS SCREWDRIVER REMOVE THE SCREW AT THE BACK OF EACH TURN SIGNAL THAT IS HOLDING THE TURN SIGNAL TO THE MOUNTING STEM AND REMOVE THE MOUNTING STEM. YOU WILL HAVE TO CUT THE WIRES OR THE WIRES WILL NOT FIT THROUGH THE HOLE.
6. USING THE 6MM ALLEN WRENCH REMOVE THE TWO SCREWS HOLDING THE TURN SIGNAL BRACKET TO THE TRIPLE TREE AND REMOVE THE BRACKET.
7. USING A 10MM SOCKET REMOVE THE TWO SCREWS HOLDING THE PLASTIC WIND DEFLECTOR UNDERNEATH THE TRIPLE TREE.
8. INSTALL THE LED LIGHTS (H) ONTO THE LIGHT BAR (G) USING THE LOCK NUTS (P) PROVIDED WITH THE LIGHTS. POSITION THE LIGHTS AND TIGHTEN WITH A 13MM SOCKET. **SEE FIG. 1.**

NOTE: STEP 9, 10 & 14 ARE FOR INSTALLING OEM TURN SIGNALS WITH BBP# 82-222T OR 82-229T ADAPTERS. (SOLD SEPARATELY)

9. VL800 ONLY: INSTALL EACH OEM TURN SIGNAL (K) ONTO THE TURN SIGNAL ADAPTER (L), ROUTING THE WIRES THROUGH THE HOLE IN THE ADAPTER. USE THE M6 – 1.0 X 10MM LONG FLAT HEAD SCREWS PROVIDED TO ATTACH THE TURN SIGNALS TO THE TURN SIGNAL ADAPTERS.
10. ROUTE THE OEM TURN SIGNAL WIRES AND THE LED LIGHT WIRES UNDER THE LIGHT BAR (G).
11. THE TURN SIGNAL ADAPTER (L) WITH OEM TURN SIGNAL (K) CAN BE POSITIONED INTO THE LOWER ENDS OF THE LIGHT BAR (G) AND SECURED WITH THE SET SCREWS (N). THERE ARE THREE SET SCREWS ON EACH SIDE.
12. INSTALL THE MOUNTING PLATE (E) TO THE BOTTOM OF THE TRIPLE TREE USING THE 20MM EXTENSION NUTS (A) AND M8 – 1.25 X 15MM LONG SOCKET HEAD CAP SCREWS (C) PROVIDED.
13. USING THE M6 – 1.0 X 16MM LONG BUTTON SOCKET HEAD CAP SCREWS AND LOCK WASHERS PROVIDED (B), INSTALL THE LIGHT BAR (G) TO THE MOUNTING PLATE (E). TIGHTEN SECURELY WITH A 4MM ALLEN WRENCH.
14. REINSTALL THE PLASTIC WIND DEFLECTORS THAT WERE REMOVED IN STEP #7.
15. RE-ROUTE THE TURN SIGNAL (K) WIRES. WIRE INTO THE HEADLIGHT HOUSING AND RE-CONNECT AS THEY WERE. YOU MAY NEED TO ADD LENGTH TO THE WIRES.
16. LOCATE YOUR BIKE'S BATTERY FUSE BLOCK AND/OR ACCESSORY TERMINALS AND WIRE ACCORDING TO THE DIAGRAM ON THE BACK.

WIRING THE DRIVING LIGHTS (SEE FIG. 2)

NOTE: IF A 13-207/52-605L SWITCH BLOCK IS PURCHASED, STEPS C & E CAN BE SKIPPED AND PLUG ONE OF THE SWITCHES INTO THE RELAY.

- A. CONNECT THE BLACK WIRES TO THE CONNECTORS ON EACH LIGHT. THE OTHER ENDS OF THE BLACK WIRES CONNECT TO THE RELAY AS SHOWN IN THE DIAGRAM. THE RELAY CAN BE LOCATED UNDER THE SIDE COVER OR SEAT. THE WIRES CAN BE ROUTED THROUGH THE LIGHT BAR AND UNDER THE FUEL TANK OR ALONG THE INSIDE OF THE FRAME TO KEEP THEM OUT OF SIGHT.
- B. THE WIRE HARNESS WITH THE RED AND GREEN WIRES CONNECTS THE BATTERY TO THE RELAY. THIS HARNESS ALSO HAS AN INLINE FUSE ON THE RED WIRE. THE ENDS WITH THE RING TERMINALS SHOULD BE PLACED UNDER THE SCREWS THAT HOLD THE BATTERY CABLES TO THE BATTERY TERMINALS. CONNECT THE OTHER ENDS OF THE HARNESS TO THE RELAY AS SHOWN IN THE DIAGRAM.

NOTE: IF A BIG BIKE PARTS ACCESSORY SWITCH BLOCK (13-207 OR 52-605) HAS BEEN PURCHASED YOU CAN USE THIS TO CONTROL THE LIGHTS IN PLACE OF THE SWITCH THAT HAS BEEN SUPPLIED WITH THE DRIVING LIGHT KIT. FOLLOW THE WIRING INSTRUCTIONS IN THE SWITCH BLOCK KIT FOR DIRECTIONS ON CONNECTING THE SWITCH BOX TO THE RELAY AND OMIT STEPS C, D AND E BELOW.

- C. FIND A CONVENIENT PLACE TO INSTALL THE SWITCH. DRILL A SMALL PILOT HOLE FIRST AND THEN DRILL IT OUT LARGER WITH A 13/16" DRILL BIT. THE SIDE COVER MAY BE A GOOD LOCATION FOR THE SWITCH.
 - D. THE WIRE HARNESS WITH THREE WIRES (ORANGE, BLUE, AND GREEN) CONNECTS TO THE SWITCH. THE END OF THE HARNESS WITH THE THREE PUSH ON CONNECTORS GOES TO THE TERMINALS OF THE SWITCH AS SHOWN IN THE DIAGRAM.
 - E. FROM THE SWITCH, THE GREEN WIRE CAN BE CONNECTED TO THE NEGATIVE TERMINAL OF THE BATTERY. THE BLUE WIRE CONNECTS TO THE RELAY AS SHOWN IN THE DIAGRAM. THE ORANGE WIRE WILL NEED TO CONNECT TO A KEYED POWER SOURCE. A KEYED POWER SOURCE IS A WIRE THAT HAS POWER ONLY WHEN THE KEY IS IN THE "ACCESSORY" OR "ON" POSITION. WHEN A KEYED POWER SOURCE WIRE IS FOUND, CLAMP THE T-TAP CONNECTOR TO THE WIRE AND THEN CONNECT THE ORANGE WIRE TO THE T-TAP.
 - F. ROUTE THE BARE ENDED WIRES ON EACH LIGHT THROUGH THE LIGHT BAR AND OUT THE MIDDLE HOLE. ATTACH RING TERMINALS TO THE BARE ENDS OF THE WIRES AND THEN PLACE THEM UNDER THE M6-1.0 X 16MM MOUNTING SCREWS UNDER THE LIGHT BAR. TIGHTEN THE SCREWS SECURELY TO INSURE THAT THE LIGHTS HAVE A GOOD GROUND.
17. TEST LIGHTS FOR PROPER OPERATION BEFORE REINSTALLING ANY REMOVED SIDE COVERS, SEATS, ETC. SECURE RELAY TO KEEP FROM BOUNCING.
 18. USE THE ADHESIVE WIRE HOLDER TO HOLD THE WIRES UNDERNEATH THE LIGHT BAR AND OUT OF SIGHT.

C50 ONLY: USE THE OEM NUT TO ATTACH THE TURN SIGNAL (K) TO THE TURN SIGNAL ADAPTER (L).

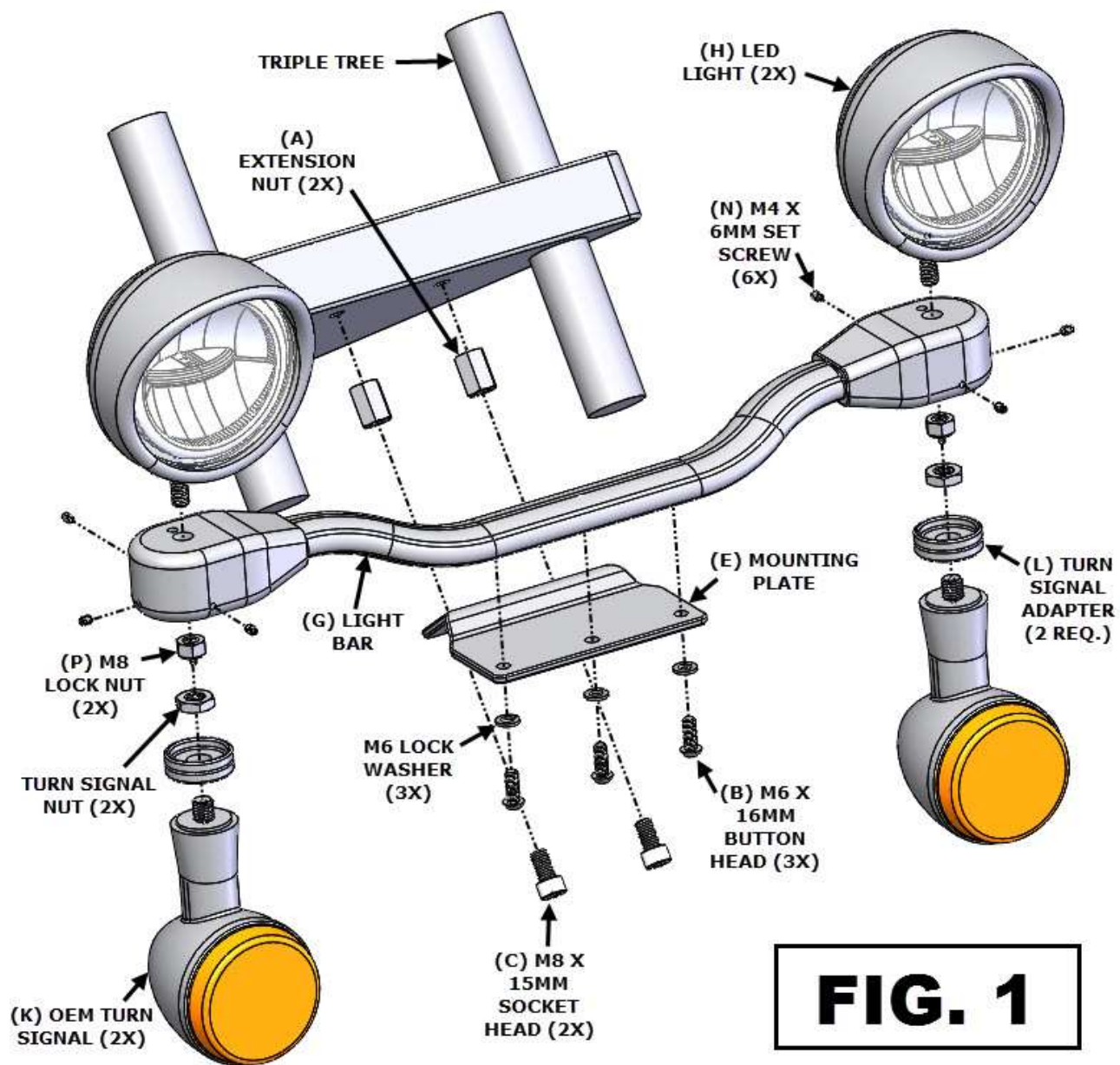


FIG. 1

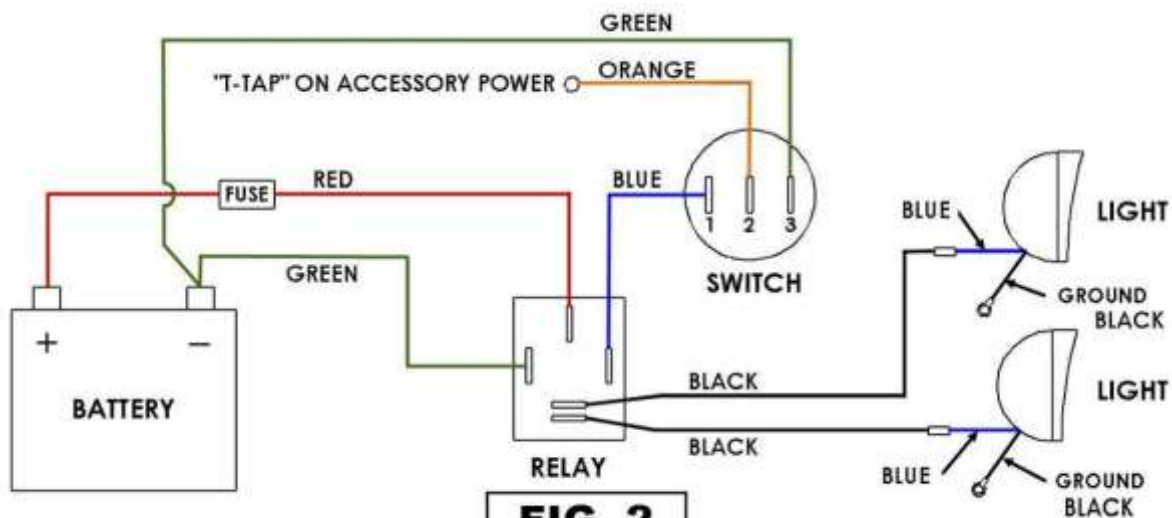


FIG. 2